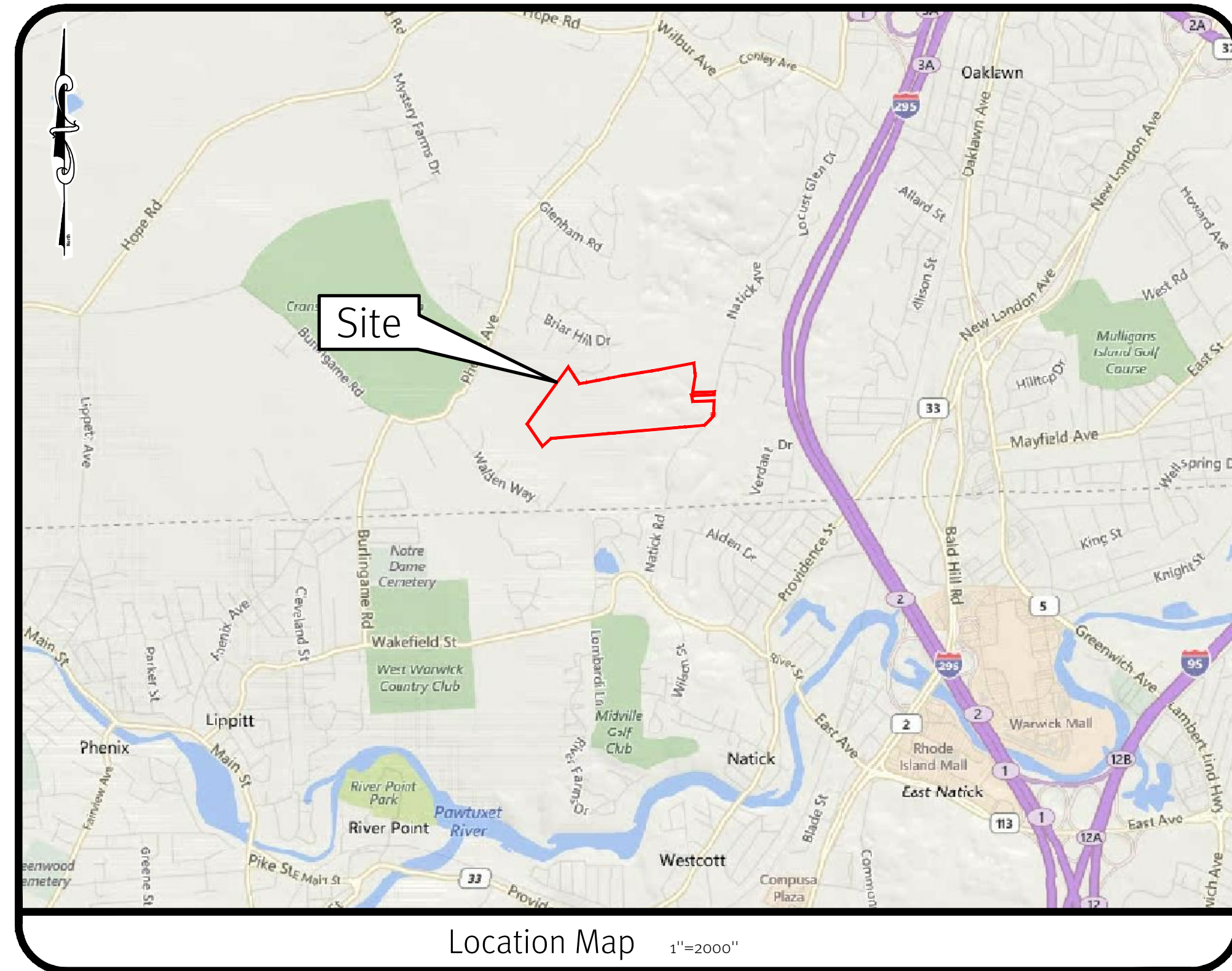


# Preliminary Submission

# Natick Avenue Solar

Located on Natick Avenue  
Cranston, Rhode Island

Assessor's Plat 22-3 Lots 108 & 119



## Sheet List Table

- 1 Cover Sheet
- 2 Half Mile Radius Aerial & USGS Map
- 3 General Notes & Legend
- 4 Existing Conditions Plan
- 5 Site Layout Plan
- 6 Site Development Plan
- 7 Soil Erosion and Sediment Control Plan
- 8 BMP Details - A & E
- 9 BMP Details - B & H
- 10 BMP Details - C, G & F
- 11 BMP Details - D & Swales
- 12 Detail Sheet
- 13 Boundary Survey

### SESC / O&M

The Soil Erosion and Sediment Control Plan (SESC) and Operations and Maintenance Plan (O&M) are required documents with this plan set and must be maintained by the contractor and owner onsite.

c:\demain\project\12437-015\_natick\_avenue\_solar\airphoto\drawings\12437-015-con.dwg, plotted: 11/02/2020

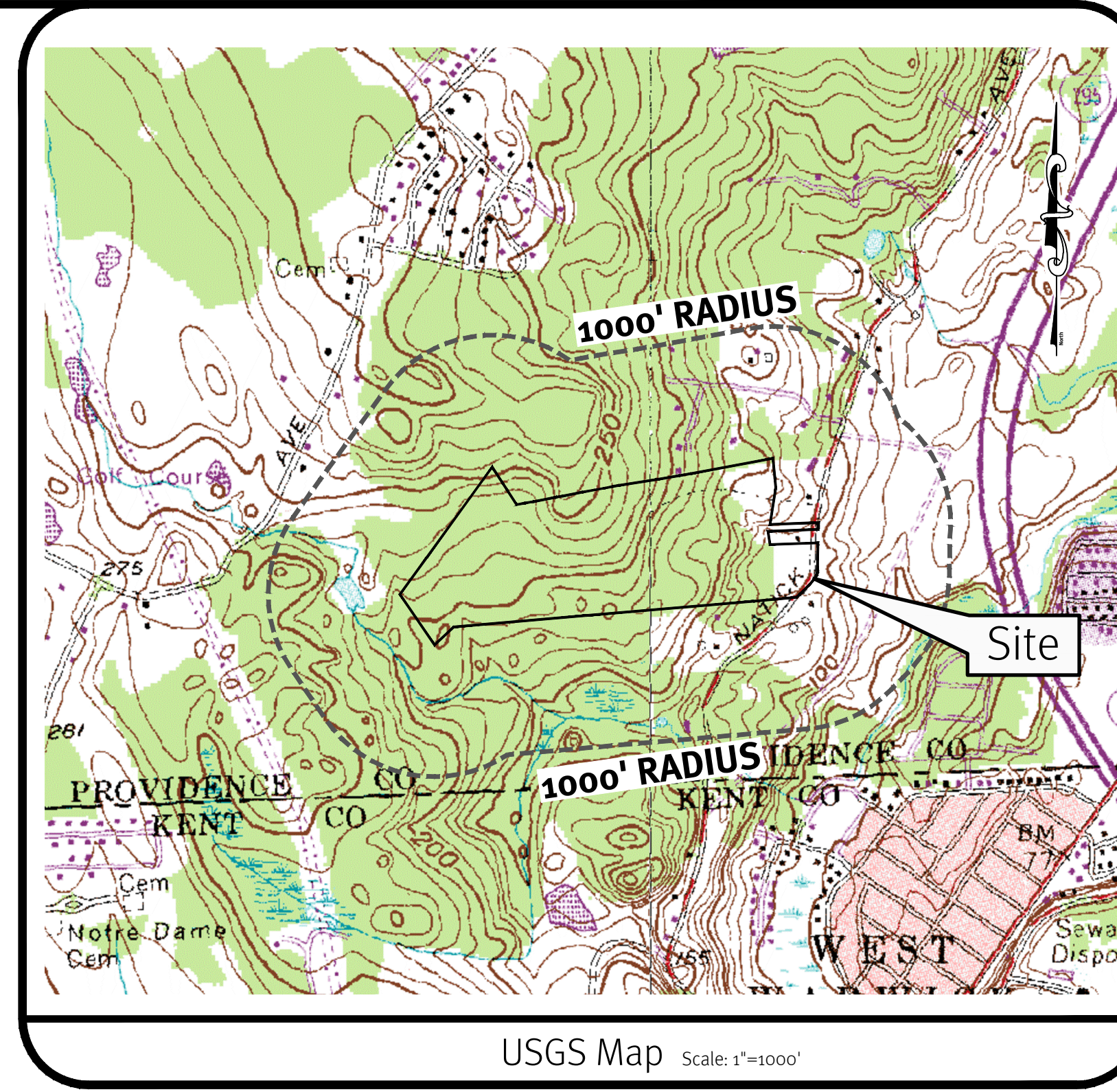
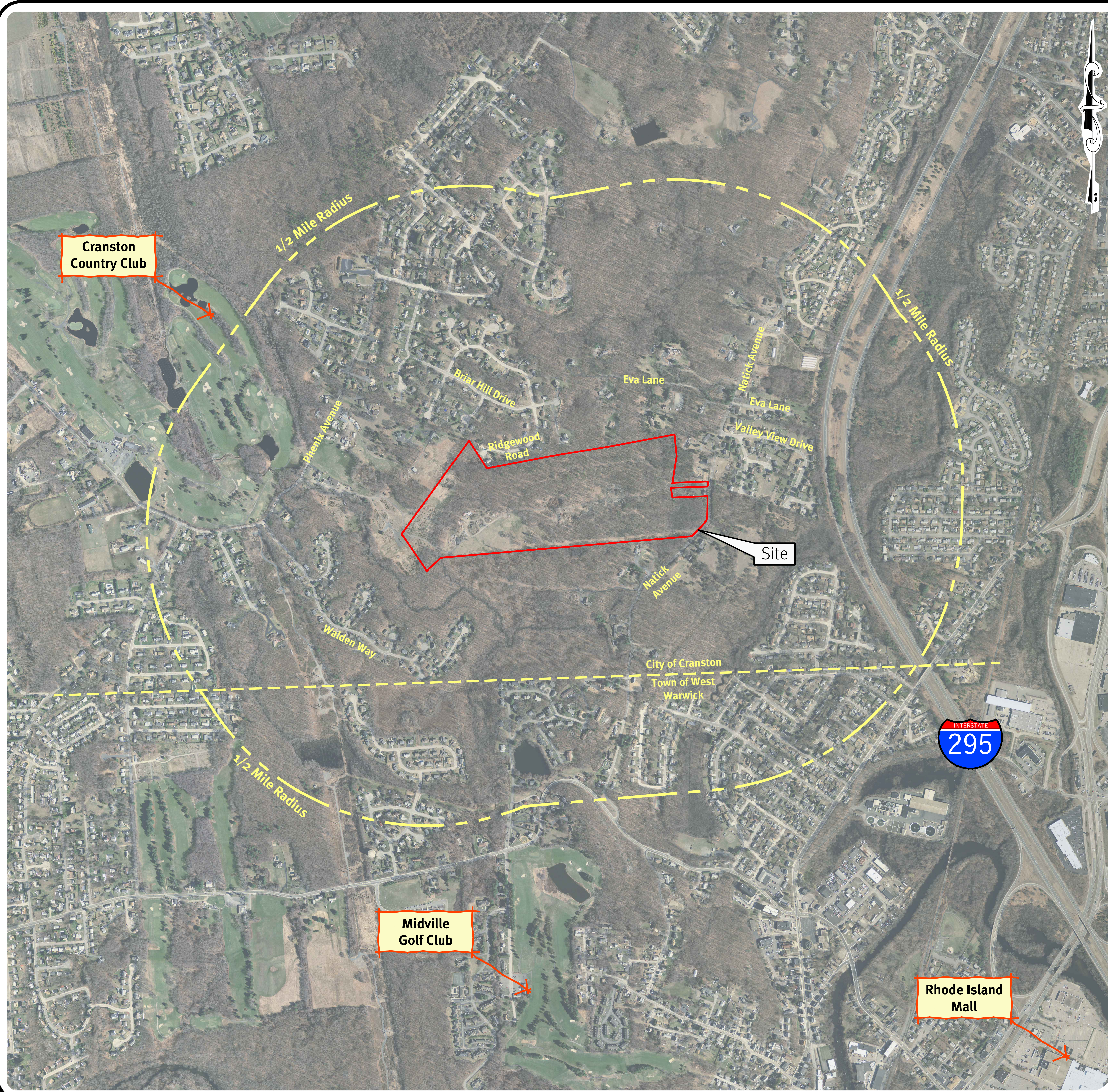
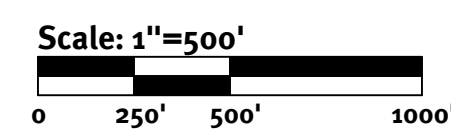


Photo Obtained from RIGIS.



**DIPrete Engineering**  
 Two Stafford Court, Cranston, RI 02920  
 Tel: 401-943-1000 Fax: 401-464-6006 www.diprete-eng.com

KEVIN DEMERS  
 REGISTERED PROFESSIONAL ENGINEER  
 CIVIL

This regulatory submission set shall not be used for construction purposes unless stamped 'Issued for Construction' and signed by a DIPrete Engineering representative.

The contractor is responsible for all of the means, methods, safety, precautions and requirements, and OSHA compliance in the implementation of this plan and design.

No.	Date	Description	Drawn By: SEK	Design By: SEK
1	11/02/2020	Preliminary Submission		

**Half Mile Radius Aerial & USGS Map**  
**Natick Avenue Solar**  
 Assessor's Plat 22-3 Lots 108 & 119  
 Cranston, Rhode Island  
**Southern Sky Renewable Energy RI, LLC**  
 17 Bioco Center Blvd #2007, Warwick, Rhode Island 02886  
 Tel: 401-943-2800

**General Notes:**

- 1. THE SITE IS LOCATED ON THE CITY OF CRANSTON ASSESSOR'S PLAT 22-3 LOTS 108 AND 119.
2. THE SITE IS APPROXIMATELY 64.03 ACRES AND IS ZONED A-80.
3. THE OWNER OF AP 22-3 LOTS 108 AND 119 IS: RONALD ROSSI, 1935 PHOENIX AVE, CRANSTON, RI 02920
4. THIS SITE IS LOCATED IN FEMA FLOOD ZONES X UNSHADED. REFERENCE FEMA FLOOD INSURANCE RATE MAP 44007C0407G & 44007C0246H, MAPS REVISED OCTOBER 2, 2015. (FLOOD PLAIN DESCRIPTIONS SHOWN BELOW)
ZONE X (UNSHADED) - THIS SITE IS LOCATED IN FEMA FLOOD ZONE X. ZONE X ARE AREAS WHERE THERE IS MINIMAL FLOODING.
5. THE BOUNDARY LINE AS SHOWN ON THIS PLAN DEPICTS THE RESULTS OF A CLASS I BOUNDARY RETRACEMENT SURVEY AS PERFORMED BY DIPRETE ENGINEERING ASSOCIATES, INC. THIS PLAN IS NOT TO BE CONSTRUED AS A CLASS I BOUNDARY RETRACEMENT SURVEY PLAN AND IS NOT SUITABLE FOR RECORDING AS A CLASS I STANDARD SURVEY PLAN. PLEASE REFER TO THE BOUNDARY SURVEY AT THE END OF THIS PLANSET.
6. THE SITE IS NOT WITHIN A: GROUNDWATER PROTECTION AREA (RIDEM), NATURAL HERITAGE AREA (RIDEM), GROUNDWATER PROTECTION OVERLAY DISTRICT (TOWN)
7. THE FOLLOWING DOCUMENTS ARE CONSIDERED PART OF THE PROJECT PLANS AND THE CONTRACTOR/OWNER MUST MAINTAIN THESE DOCUMENTS AS PART OF A FULL PLAN SET:
- SOIL EROSION AND SEDIMENT CONTROL PLAN (SESC). THE SESC CONTAINS THE FOLLOWING:
o EROSION CONTROL MEASURES
o SHORT TERM MAINTENANCE
o ESTABLISHMENT OF VEGETATIVE COVER
o CONSTRUCTION POLLUTION PREVENTION
o SEQUENCE OF CONSTRUCTION
- OPERATION AND MAINTENANCE PLAN (O&M). THE O&M CONTAINS:
o LONG TERM MAINTENANCE
o LONG TERM POLLUTION PREVENTION
8. THE SITE DOES NOT REQUIRE ANY WATER OR SEWER SERVICE.
9. ALL PROPOSED CRUSHED STONE ACCESS PATHS ARE TO BE 20' WIDE.
10. NO LIGHTING IS PROPOSED ON-SITE.
11. TEST PITS AND SOIL EVALUATIONS WERE COMPLETED BY DIPRETE ENGINEERING ON FEBRUARY 21, 2019.
12. WETLANDS ON THIS SITE WERE FLAGGED BY NATURAL RESOURCE SERVICES, INC. (NRS). REFER TO THE NRS REPORT DATED JULY 11, 2018.

**Soil Information:**

(REFERENCE: USDA NATURAL RESOURCES CONSERVATION SERVICE)
SOIL NAME DESCRIPTION

Table with 2 columns: Soil Name, Description. Rows include CcD, CcC, ChB, Rf, WcB.

**Soil Erosion and Sedimentation Control Notes:**

- 1. ALL EROSION CONTROL, TEMPORARY SWALES, TEMPORARY SEDIMENT TRAPS, ETC. MUST BE INSTALLED PER THE RHODE ISLAND SOIL EROSION AND SEDIMENT CONTROL HANDBOOK (LATEST EDITION) AND THE SOIL EROSION AND SEDIMENT CONTROL PLAN (SESC).
2. TEMPORARY SWALES MUST BE USED TO CONTROL RUNOFF DURING CONSTRUCTION OF THE PROPOSED ROADWAY. TEMPORARY SWALES MUST BE VEGETATED AFTER CONSTRUCTION. EROSION CONTROL MATS MUST BE INSTALLED IF NECESSARY TO PREVENT EROSION AND SUPPORT VEGETATION. AFTER CONSTRUCTION IS COMPLETE AND TRIBUTARY AREAS TO THE SWALES HAVE BEEN STABILIZED, THE TEMPORARY SWALES MUST BE CLEARED AND FINAL CONSTRUCTION, INCLUDING INSTALLATION OF THE GRASS SWALE MUST BE PER THE DESIGN PLANS.
3. ONCE THE SEDIMENT TRAPS ARE NO LONGER REQUIRED AND ALL TRIBUTARY AREAS HAVE BEEN STABILIZED, THE SEDIMENT TRAPS MUST BE CLEANED AND BROUGHT TO FINAL DESIGN GRADES.
4. SEE SECTION 2.2 OF THE SESC FOR SEQUENCE OF CONSTRUCTION ACTIVITY, AND PROJECT PHASING.
5. CONTRACTOR MAY MODIFY SEQUENCE OF CONSTRUCTION WITH APPROVAL FROM DESIGN ENGINEER.
6. AS NOTED IN THE OPERATION & MAINTENANCE PLAN, IF SOIL EROSION IS OBSERVED BELOW THE DRIP EDGE OF THE SOLAR PANELS, TURF REINFORCEMENT MUST BE INSTALLED PER ENGINEER-APPROVED MANUFACTURER SPECIFICATIONS, ALONG AND DOWNGRADIANT OF ALL DRIP EDGES WHERE EROSION IS OBSERVED.

**Grading and Utility Notes:**

- 1. THE CONTRACTOR IS RESPONSIBLE FOR ALL SOIL EROSION AND SEDIMENT CONTROL ON-SITE. THE CONTRACTOR IS TO NOTIFY THE DESIGN ENGINEER, THE DIRECTOR OF PUBLIC WORKS, THE TOWN ENGINEER, AND RI DEPARTMENT OF ENVIRONMENTAL MANAGEMENT AT LEAST 48 HOURS PRIOR TO THE START OF CONSTRUCTION.
2. THE CONTRACTOR MUST OBTAIN ALL FEDERAL, STATE AND MUNICIPAL APPROVALS PRIOR TO THE START OF CONSTRUCTION.
3. CONSTRUCTION TO COMMENCE SPRING 2021 OR UPON RECEIPT OF ALL NECESSARY APPROVALS.
4. ALL WORK PERFORMED HEREIN IS TO BE GOVERNED BY CURRENT EDITIONS OF THE RHODE ISLAND STANDARD SPECIFICATION FOR ROAD AND BRIDGE CONSTRUCTION AND CITY OF CRANSTON STANDARD SPECIFICATIONS AND DETAILS.
5. THE CONTRACTOR MUST COORDINATE WITH ALL OF THE APPROPRIATE UTILITY COMPANIES FOR AGREEMENTS TO SERVICE THE PROPOSED BUILDING. THIS MUST BE DONE PRIOR TO CONSTRUCTION. NO REPRESENTATIONS ARE MADE BY DIPRETE ENGINEERING THAT UTILITY SERVICE IS AVAILABLE.
6. THE CONTRACTOR IS RESPONSIBLE FOR DETERMINING FINISH GRADING AND DRAINAGE AROUND THE STRUCTURES TO ENSURE SURFACE WATER AND/OR GROUNDWATER ARE DIRECTED AWAY FROM THE STRUCTURE.
7. PRIOR TO START OF CONSTRUCTION, CONTRACTOR MUST VERIFY EXISTING PAVEMENT ELEVATIONS AT INTERFACE WITH PROPOSED PAVEMENTS, AND EXISTING GROUND ELEVATIONS ADJACENT TO DRAINAGE OUTLETS TO ASSURE PROPER TRANSITIONS BETWEEN EXISTING AND PROPOSED FACILITIES. CONTRACTOR MUST NOTIFY DESIGN ENGINEER OF ANY DISCREPANCIES PRIOR TO CONSTRUCTION.
8. ALL PROPOSED UTILITIES SERVING THE SITE AND BUILDINGS TO BE COORDINATED WITH APPLICANT, ARCHITECT, AND ENGINEER PRIOR TO INSTALLATION.
9. ALL TRAFFIC CONTROL MUST CONFORM TO THE MANUAL ON UNIFORM TRAFFIC CONTROL DEVICES, LATEST EDITION INCLUDING ALL REVISIONS.
10. ALL RETAINING WALLS AND STEEP SLOPES ARE SHOWN SCHEMATICALLY ONLY AND DIPRETE ENGINEERING IS NOT PROVIDING THE DESIGN OF THESE ITEMS. THE ACTUAL WALLS AND SLOPES ARE TO BE DESIGNED AND BUILT UNDER THE DIRECTION OF A PROFESSIONAL GEOTECHNICAL ENGINEER AND CERTIFIED TO THE OWNER PRIOR TO THE COMPLETION OF THE PROJECT. SHOP DRAWINGS MUST SUBMITTED PRIOR TO CONSTRUCTION.
11. ALL CUT AND FILL AREAS MUST BE CONSTRUCTED UNDER THE DIRECTION OF A PROFESSIONAL GEOTECHNICAL ENGINEER, WITH TESTING AND CERTIFICATION TO BE PROVIDED TO THE OWNER AT THE COMPLETION OF THE PROJECT. DIPRETE ENGINEERING IS NOT PROVIDING THE FILL SPECIFICATIONS, GEOTECHNICAL ENGINEERING, STRUCTURAL ENGINEERING SERVICES, OR SUPERVISION AS PART OF THESE DRAWINGS.
12. ALL COMPONENTS OF THE DRAINAGE MUST BE ASBUILT PRIOR TO COVERING. ENGINEER MUST BE NOTIFIED PRIOR TO COVERING SURVEY ASBUILT LOCATIONS. ENGINEER WILL NOT ACCEPT FIELD MEASUREMENTS FROM THE SITE CONTRACTOR.
13. NO STOCKPILING OF MATERIAL TO BE LOCATED IN THE RIGHT OF WAY AND NO OPEN TRENCHES ARE TO BE LEFT OVERNIGHT.
14. ALL LOAM IN DISTURBED AREAS MUST BE STOCKPILED FOR FUTURE USE.
15. ALL EXCESS SOIL, TREES, ROCKS, BOULDERS, AND OTHER REFUSE, MUST BE DISPOSED OFF SITE IN ACCORDANCE WITH FEDERAL, STATE AND LOCAL REGULATIONS. STUMPS MUST BE GROUND ON SITE OR REMOVED.
16. NO STUMP DUMPS ARE PROPOSED ON SITE.
17. ALL EXISTING UTILITIES SHOWN ARE FROM VISIBLE INFORMATION, DRAWINGS FROM OTHERS, OR INFORMATION PROVIDED TO DIPRETE ENGINEERING AND ARE SUBJECT TO CHANGE. THE LOCATIONS OF UNDERGROUND PIPES AND CONDUITS HAVE BEEN DETERMINED FROM AFOREMENTIONED PLANS OF RECORD AND ARE APPROXIMATE ONLY. PRIOR TO CONSTRUCTION, THE PROPER UTILITY ENGINEERING DEPARTMENTS MUST BE CONTACTED AND THE ACTUAL LOCATION OF SUBSURFACE STRUCTURES MUST BE DETERMINED IN THE FIELD BY THE CONTRACTOR. CALL THE DIG SAFE CENTER TOLL FREE AT 1-888-344-7235 IN MA, ME, NH, RI, & VT PRIOR TO EXCAVATION. NOTIFY DESIGN ENGINEER OF ANY DISCREPANCIES PRIOR TO EXCAVATION. ANY DAMAGE TO UTILITIES WHICH ARE SHOWN ON THE PLANS OR DETAILED BY DIG SAFE MUST BE THE SITE CONTRACTORS RESPONSIBILITIES.
18. IF CONCRETE TRUCKS ARE WASHED OUT ON-SITE, ALL WASHOUT MUST BE COMPLETED IN THE DESIGNATED CONCRETE WASHOUT AREA.
19. ALL DRAINAGE PIPE INSTALLED WITHIN THE SEASONAL HIGH GROUNDWATER TABLE MUST BE WATER TIGHT.

**Lidar Note:**

CONTOUR DATA SHOWN ON THIS PLAN CONFORMS TO A T-4 TOPOGRAPHICAL SURVEY STANDARD AS ADOPTED BY THE RHODE ISLAND BOARD OF REGISTRATION FOR PROFESSIONAL LAND SURVEYORS. SAID DATA IS BASED ON ELEVATION INFORMATION THAT WAS COLLECTED WITH AIRBORNE LIDAR TECHNOLOGY FOR THE ENTIRE AREA OF RHODE ISLAND BETWEEN APRIL 22 AND MAY 6, 2011 AS PART OF THE NORTHEAST LIDAR PROJECT. THIS DATA'S POSITIONAL ACCURACY AND RELIABILITY HAS NOT BEEN VERIFIED BY DIPRETE ENGINEERING AND IS SUBJECT TO CHANGES AN AUTHORITY FIELD SURVEY MAY DISCLOSE.

**Dimensional Regulations:**

Table with 2 columns: Regulation, Value. Rows include CURRENT ZONING, MINIMUM LOT AREA, MINIMUM FRONTAGE AND LOT WIDTH, MINIMUM FRONT YARD, MINIMUM SIDE YARD, MINIMUM REAR YARD.

**Existing Legend**

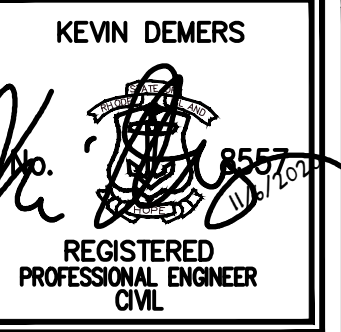
NOT ALL ITEMS SHOWN WILL APPEAR ON PLANS

Table listing existing features and their symbols. Includes PROPERTY LINE, BUILDING, BRUSHLINE, TREELINE, GUARDRAIL, FENCE, RETAINING WALL, STONE WALL, MINOR CONTOUR LINE, MAJOR CONTOUR LINE, WATER LINE, SEWER LINE, SEWER FORCE MAIN, GAS LINE, ELECTRIC LINE, OVERHEAD WIRES, DRAINAGE LINE, SOILS LINES, 50' PERIMETER WETLAND, 100' RIVERBANK WETLAND, 200' RIVERBANK WETLAND, FEMO BOUNDARY, STREAM, WETLAND LINE & FLAG, STATE HIGHWAY LINE, STATE FREEWAY LINE.

**Proposed Legend**

NOT ALL ITEMS SHOWN WILL APPEAR ON PLANS

Table listing proposed features and their symbols. Includes PROPERTY LINE, BUILDING SETBACKS, CHAINLINK FENCE, RETAINING WALL, MINOR CONTOUR LINE, MAJOR CONTOUR LINE, BMP STONE BASIN/TRENCH, BOTTOM MINOR CONTOUR LINE, BMP STONE BASIN/TRENCH, BOTTOM MAJOR CONTOUR LINE, SPOT ELEVATION, EDGE OF PAVEMENT, BITUMINOUS BERM, CONCRETE CURB, BUILDING FOOTPRINT, BUILDING OVERHANG, ASPHALT PAVEMENT, HEAVY DUTY ASPHALT PAVEMENT, HEAVY DUTY CONCRETE, CONCRETE, ASPHALT SIDEWALK, SAWCUT LINE, SIGN, SINGLE LIGHT, DOUBLE LIGHT, OVERHANGING LIGHT, ACCESSIBLE PARKING SPACE SYMBOLS, BUILDING INGRESS/EGRESS, ELECTRIC UTILITY POLE, ZONING LINE, SOLAR ARRAY (TYP), LIMIT OF DISTURBANCE.



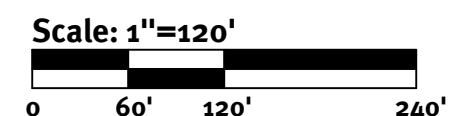
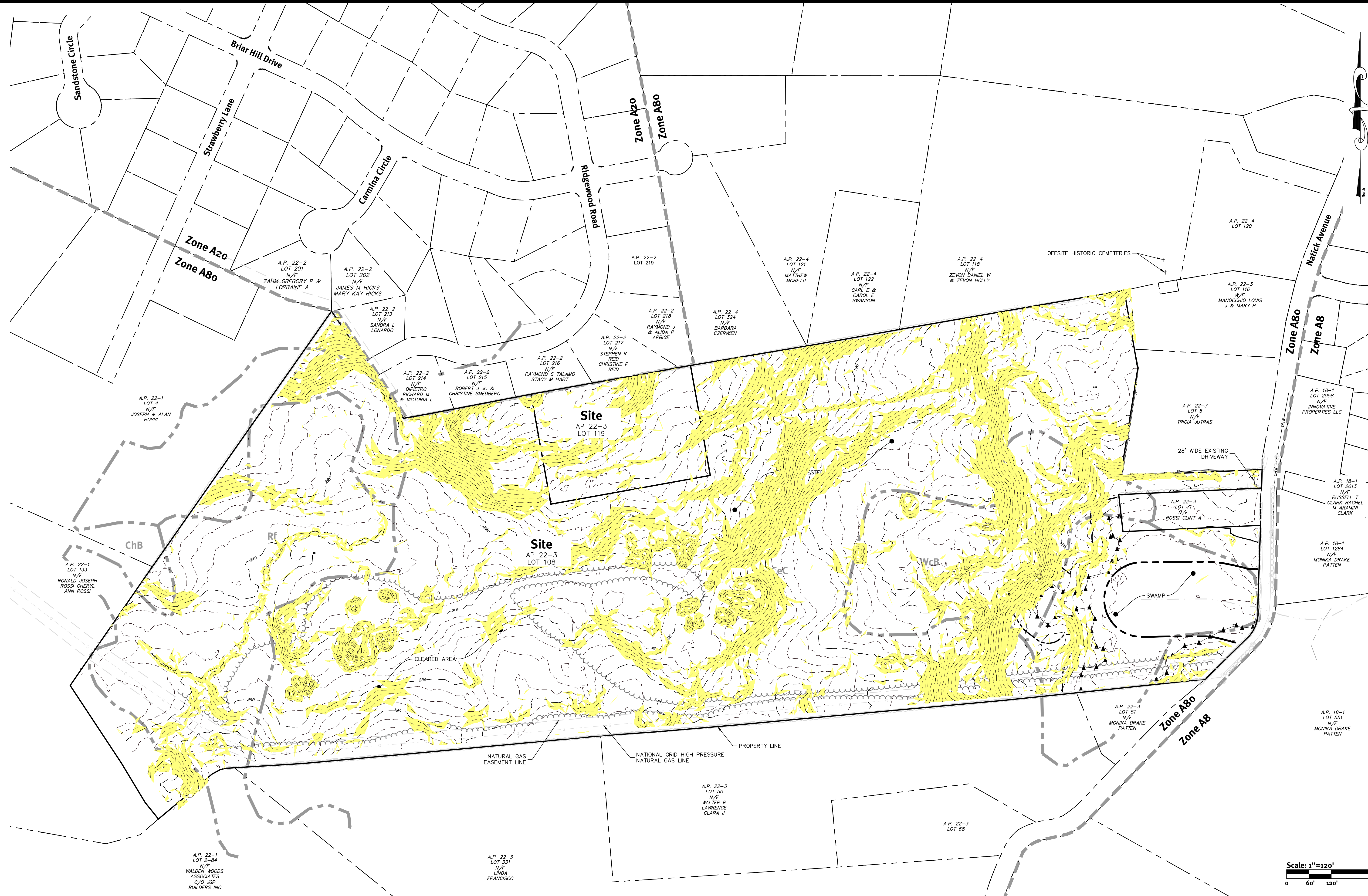
This regulatory submission set shall not be used for construction purposes unless stamped 'Issued for Construction' and signed by a Diprete Engineering representative.

The contractor is responsible for all of the means, methods, safety, precautions and requirements, and OSHA compliance in the implementation of this plan and design.

Table with 4 columns: No., Date, Description, Design By: SEK. Row 1: 1, 11/07/2020, Preliminary Submission, Design By: SEK.

c:\demain\project\2437-015\_natick\_avenue\_solar\external drawings\2437-015-con.dwg Plotter: 11/07/2020

c:\demain\project\132437-015 natick avenue solar\external drawings\132437-015 plan.dwg Plotter: 11/6/2020



**Existing Conditions Note:**  
SEE SHEET 13 FOR CLASS I BOUNDARY SURVEY.

STEEP SLOPES TABLE		
SLOPE	COLOR	
>15.00%	Yellow	

**Existing Conditions Plan**  
**Natick Avenue Solar**  
Assessor's Plat 22-3 Lots 108 & 119  
Cransford, Rhode Island

**Southern Sky Renewable Energy RI, LLC**  
17 Bioco Center Blvd #2007, Warwick, Rhode Island 02886  
Tel: 401-943-2900

No.	Date	Description	Drawn By: SEK	Design By: SEK	Scale
1	11/07/2020	Preliminary Submission			

This regulatory submission set shall not be used for construction purposes unless stamped 'Issued for Construction' and signed by a DiPrete Engineering representative.

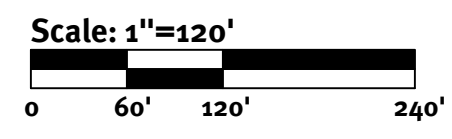
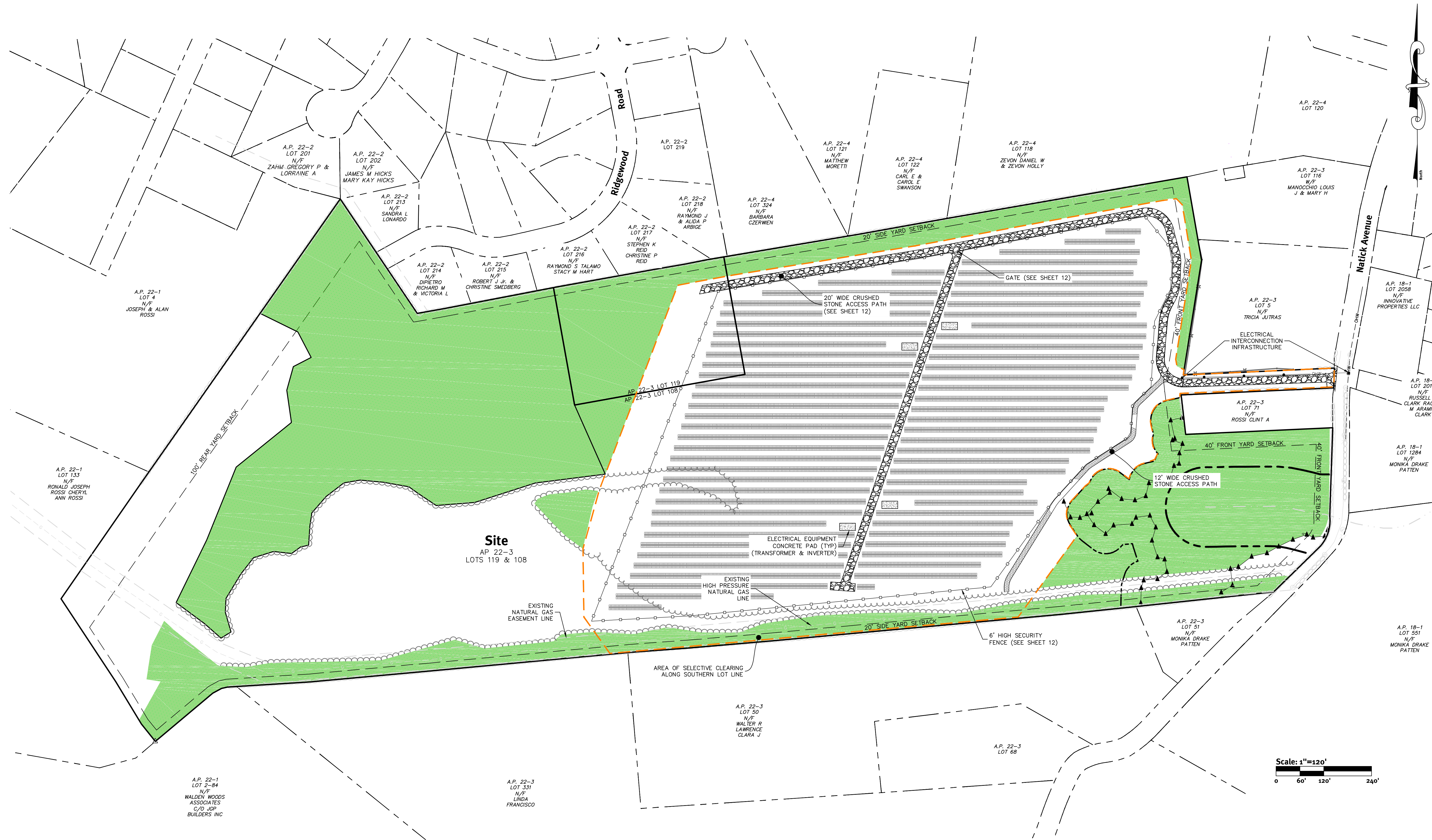
The contractor is responsible for all of the means, methods, safety, precautions and requirements, and OSHA compliance in the implementation of this plan and design.

**KEVIN DEMERS**  
REGISTERED PROFESSIONAL ENGINEER  
CIVIL

**DiPrete Engineering**  
Two Stafford Court, Cranston, RI 02920  
Tel: 401-943-1000 Fax: 401-464-6006 www.diprete-eng.com

**Boston • Providence • Newport**

z:\demain\project\12437-015-natick-avenue-solar\autocad\drawings\12437-015-plan\dwg-plotter: 11/6/2020



**Commercial Solar Farm**

**Site Layout Plan**  
**Natick Avenue Solar**  
 Assessor's Plat 22-3 Lots 108 & 119  
 Client  
**Southern Sky Renewable Energy RI, LLC**  
 17 Metro Center Blvd #2007, Warwick, Rhode Island 02886  
 Tel: 401-943-2800

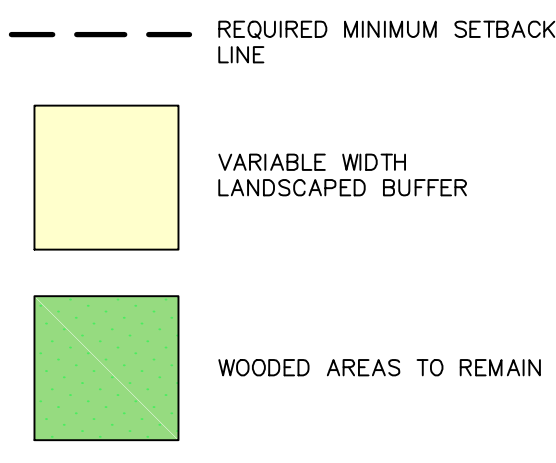
This regulatory submission set shall not be used for construction purposes unless stamped 'Issued for Construction' and signed by a DiPrete Engineering representative.  
 The contractor is responsible for all of the means, methods, safety, precautions and requirements, and OSHA compliance in the implementation of this plan and design.

**KEVIN DEMERS**  
 REGISTERED PROFESSIONAL ENGINEER  
 CIVIL

No.	Date	Description	Drawn By: SEK	Design By: SEK
1	11/07/2020	Preliminary Submission		

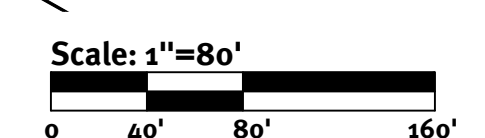
**DiPrete Engineering**  
 Two Stafford Court, Cranston, RI 02920  
 Tel: 401-943-1000 Fax: 401-464-6006 www.diprete-eng.com  
 Boston • Providence • Newport

z:\demain\project\12437-015 natick avenue solar\site\drawings\12437-015-plan-dwg.plt: 11/16/2020



**Dimensional Regulations:**

CURRENT ZONING:	REQUIRED	PROPOSED
A-80		
MINIMUM LOT AREA:	80,000 SF	2,789,020 SF
MINIMUM FRONTAGE AND LOT WIDTH:	200'	500'
MINIMUM FRONT YARD:	60'	473'
MINIMUM SIDE YARD (NORTH):	20'	94'
MINIMUM SIDE YARD (SOUTH):	20'	100'
MINIMUM REAR YARD:	100'	1,024'
MINIMUM BUFFER (NORTH):	5'	50'
MINIMUM BUFFER (EAST):	10'	25'
MINIMUM BUFFER (SOUTH):	5'	5'-10' VARIABLE
MINIMUM BUFFER (WEST):	5'	108'



**Site Development Plan**  
**Natick Avenue Solar**  
 Assessor's Plat 22-3 Lots 108 & 119  
 Cranston, Rhode Island  
**Southern Sky Renewable Energy RI, LLC**  
 Client  
 17 Metro Center Blvd #2007, Warwick, Rhode Island 02886  
 Tel: 401-943-2900

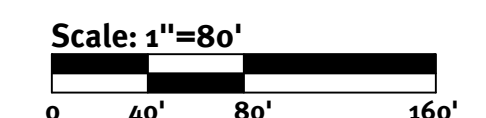
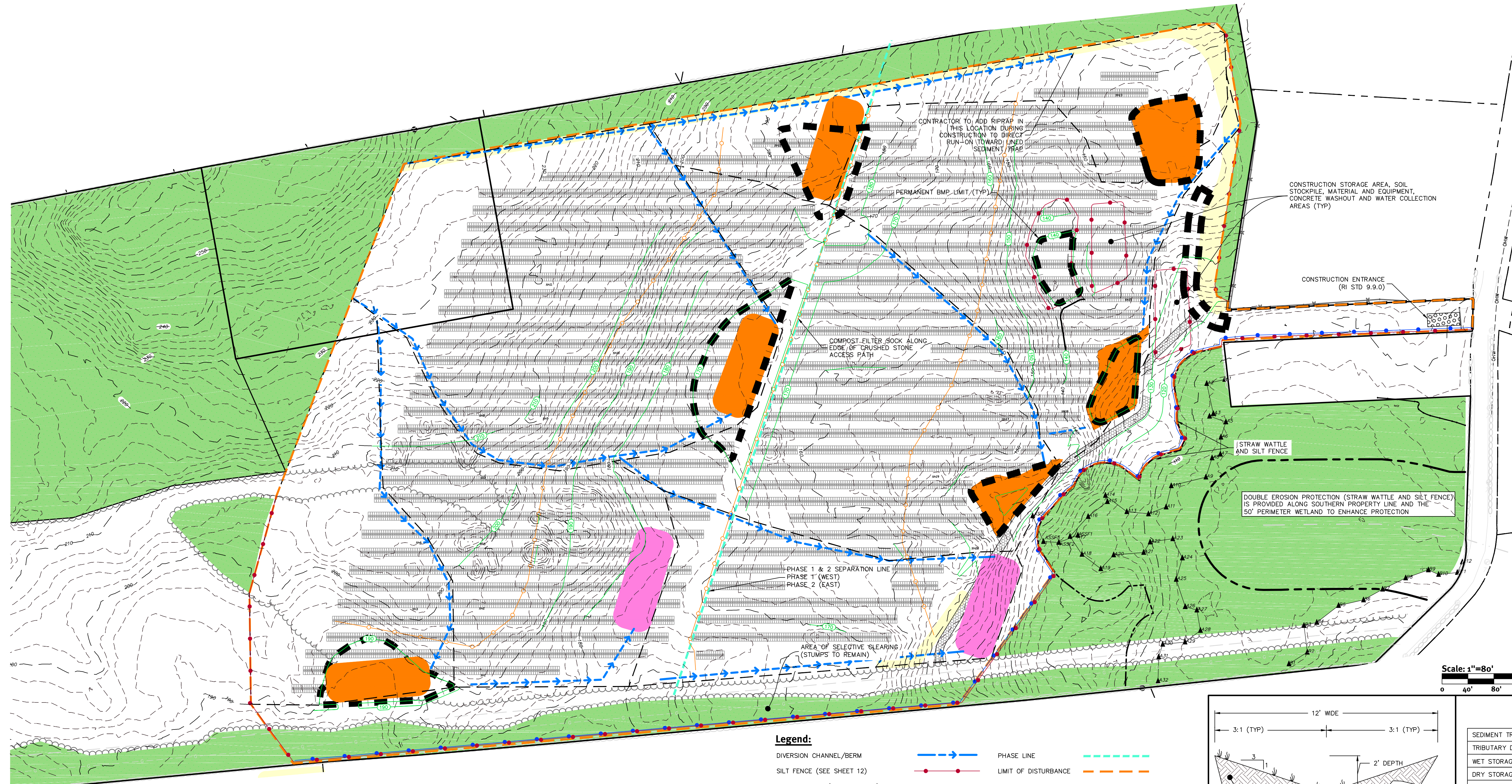
**KEVIN DEMERS**  
 REGISTERED PROFESSIONAL ENGINEER CIVIL

This regulatory submission set shall not be used for construction purposes unless stamped 'Issued for Construction' and signed by a DIPrete Engineering representative.  
 The contractor is responsible for all of the means, methods, safety, precautions and requirements, and OSHA compliance in the implementation of this plan and design.

No.	Date	Description	Drawn By: SEK	Design By: SEK	Scale
1	11/16/2020	Preliminary Submission			

**DIPrete Engineering**  
 Two Stafford Court, Cranston, RI 02920  
 Tel: 401-943-1000 Fax: 401-464-6006 www.diprete-eng.com  
**Boston • Providence • Newport**

c:\demain\project\2437-015\riehs\erose\erose.dwg\drawings\2437-015-erose.dwg.plt: 11/06/2020



**General SESC Notes:**

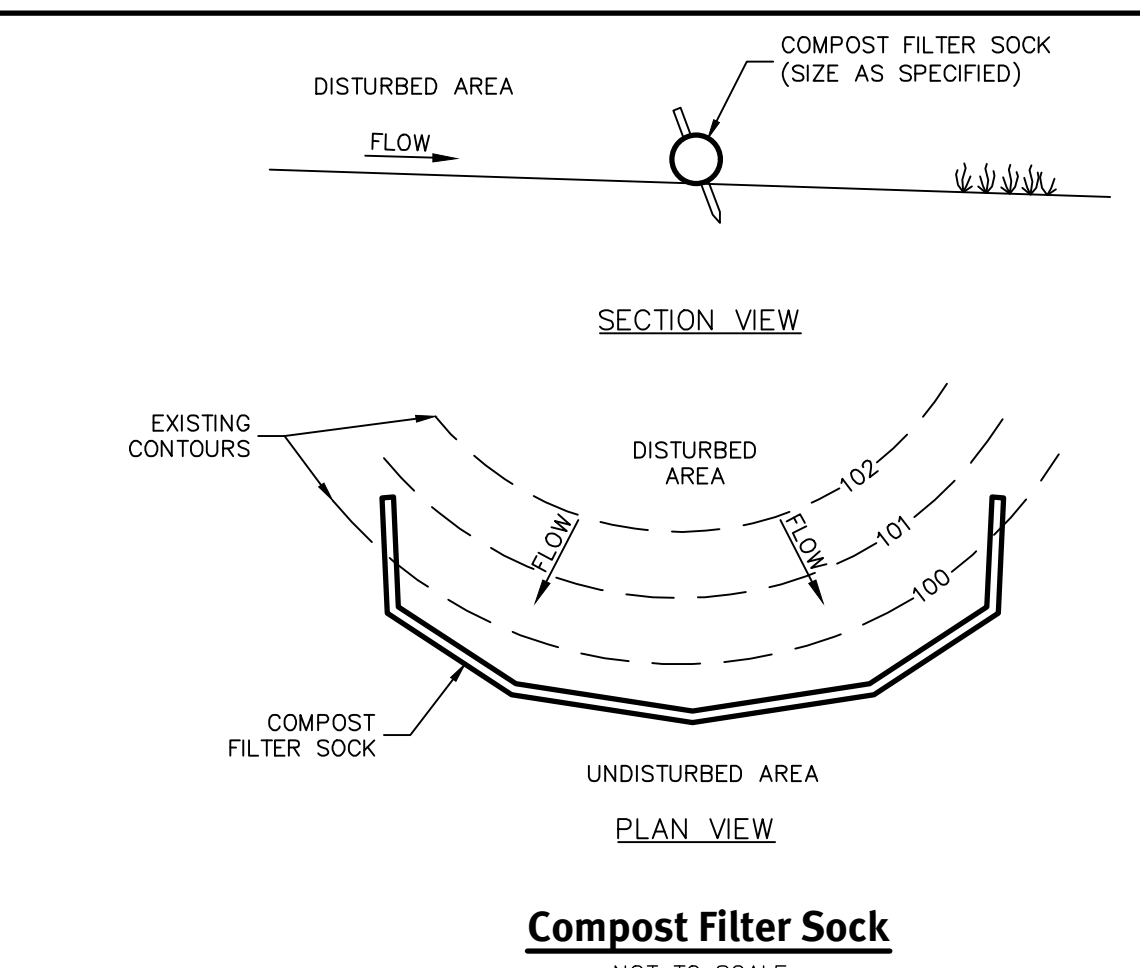
- INTERNAL SEDIMENT CONTROL SHOWN IS THE MINIMUM AMOUNT REQUIRED. CONTRACTOR MUST MONITOR THE SITE AND IF AREAS OF EROSION ARE OBSERVED FOLLOWING STORM EVENTS (PRECIPITATION OF 0.25" OR GREATER), CONTRACTOR MUST SUPPLEMENT WITH ADDITIONAL EROSION CONTROL MEASURES AS SHOWN AND SPECIFIED IN SECTION SIX OF THE RHODE ISLAND SOIL EROSION AND SEDIMENT CONTROL HANDBOOK.

**Legend:**

- |  |  |                                    |  |
|--|--|------------------------------------|--|
| DIVERSION CHANNEL/BERM                                   |  | PHASE LINE                         |  |
| SILT FENCE (SEE SHEET 12)                                |  | LIMIT OF DISTURBANCE               |  |
| STRAW WATTLE (SEE SHEET 12)                              |  | TEMPORARY SEDIMENT TRAPS (UNLINED) |  |
| COMPOST FILTER SOCK (8" DIAMETER)                        |  | TEMPORARY SEDIMENT TRAPS (LINED)   |  |
| APPROXIMATE SESC TRAP DISTURBANCE AREA LINE (5 ACRE MAX) |  | FINAL CONTOUR                      |  |

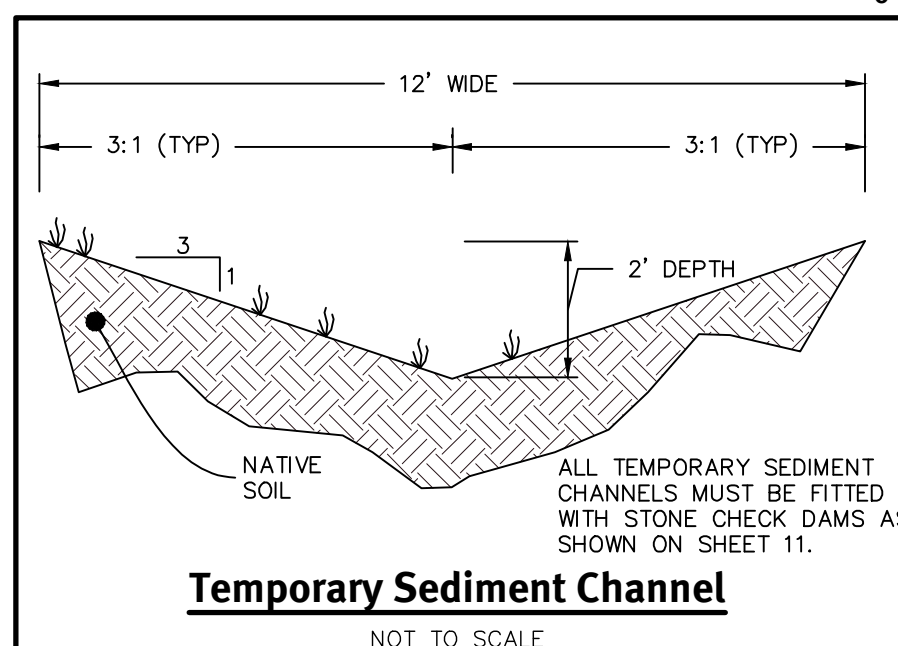
**Erosion Control SESC Trap Disturbance Area Notes:**

- THE FOLLOWING STEPS MUST BE FOLLOWED WHEN CLEARING AND STUMPING THE SESC TRAP DISTURBANCE AREAS:
- TREE CLEARING AND EARTHWORK
- TREE CLEARING WILL COMMENCE LEAVING ALL STUMPS IN PLACE.
  - THE ENTIRETY OF ALL PHASE 1 AND 2 EROSION CONTROL MUST BE INSTALLED (SEE PLANS).
  - STUMPING MUST BE PERFORMED WITHIN THE APPROXIMATE DISTURBANCE AREAS LINES (SEE PLANS) AND DIVERSION CHANNELS (ALONG WITH PERMANENT SWALES) AND TRAPS MUST BE INSTALLED BEFORE MOVING TO THE NEXT STUMPING AREA.
  - ONCE TRAPS ARE IN PLACE COMPOST FILTER SOCKS MUST BE INSTALLED AS SHOWN ON THIS SHEET.
  - CONTRACTOR TO THEN BEGIN FINAL SITE GRADING.
  - ONCE GRADING IS COMPLETED, AREA MUST BE SEED WITHIN 72 HOURS.
  - ONCE GRASS HAS BEEN ESTABLISHED, TEMPORARY MEASURES CAN BE TAKEN OFFLINE.
  - ONCE TEMPORARY MEASURES ARE REMOVED THE CONTRACTOR MUST SCARIFY THE BOTTOM OF THE LINED TRAPS UNDER THE SUPERVISION OF THE ENGINEER OF RECORD TO ENSURE INFILTRATION CAN OCCUR IN BMP AREAS REQUIRING SUCH.
  - PERMANENT DRAINAGE FEATURES CAN THEN BE CONSTRUCTED.

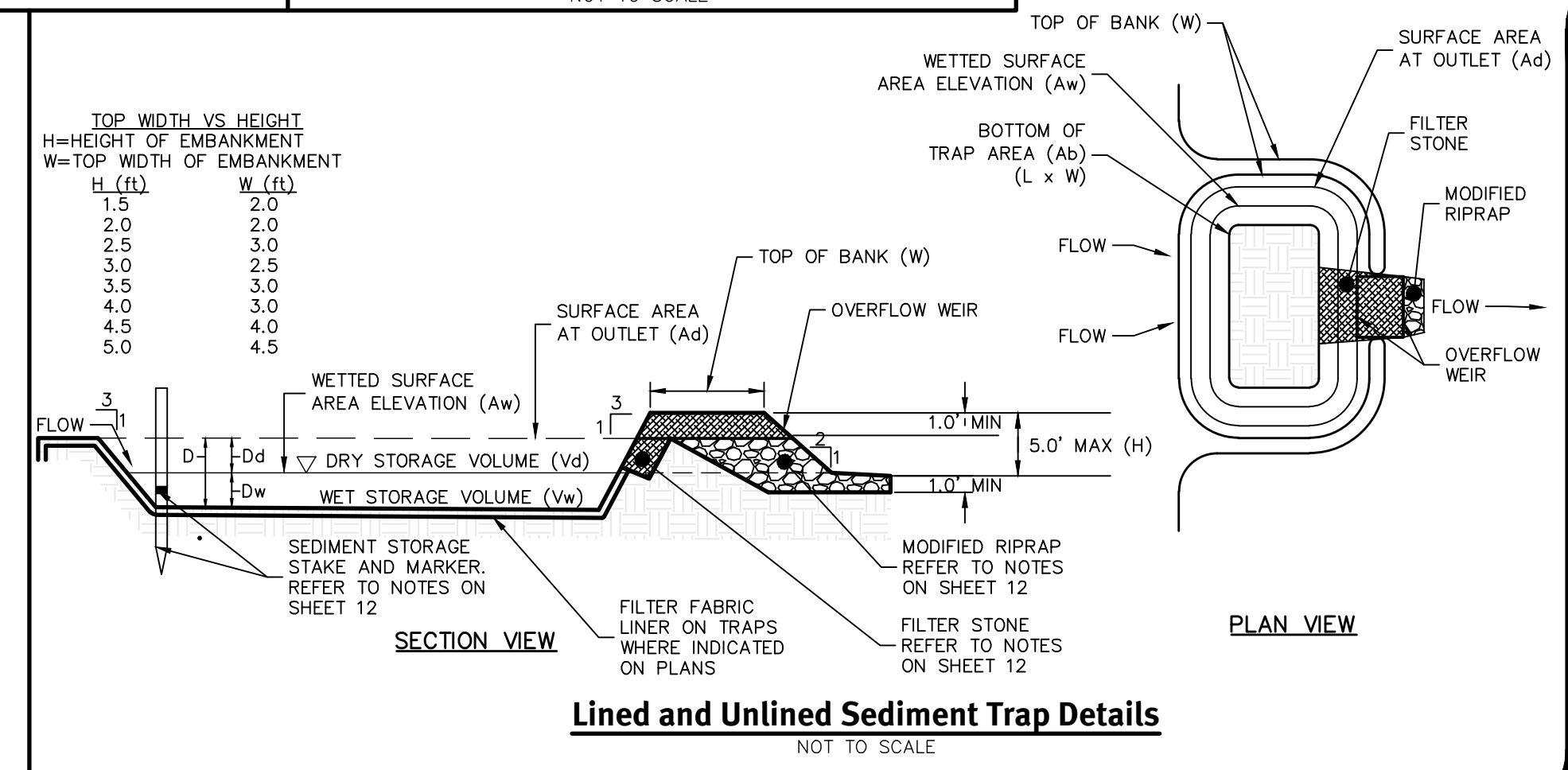


**Notes:**

- COMPOST FILTER SOCKS MUST BE USED TO CONSTRUCT THE FILTER BERMS ON SITE.
  - COMPOST FILTER SOCKS MUST BE USED ON SIGNIFICANT FLOW PATHS AND PLACED PARALLEL TO THE SLOPE OF THE FLOW BASED ON THE COMPOST FILTER SOCK REQUIREMENTS IN THE RI SOIL EROSION AND SEDIMENT CONTROL HANDBOOK (2016).
- | SLOPE %     | MAXIMUM 8" DIAMETER SOCK SPACING |
|-------------|----------------------------------|
| 5           | 300 FEET                         |
| 2 (OR LESS) | 200 FEET                         |
| 10          | 100 FEET                         |
| 15          | 70 FEET                          |
| 20          | 50 FEET                          |
| 25          | 40 FEET                          |
| 30          | 30 FEET                          |
| 35          | 30 FEET                          |
| 40          | 30 FEET                          |
| 45          | 20 FEET                          |
| 50          | 20 FEET                          |
- TALL GRASSES MUST BE CUT PRIOR TO INSTALLATION TO MINIMIZE POTENTIAL FOR UNDERCUTTING. COMPOST FILTER SOCKS MUST BE NETTED OR OTHERWISE ANCHORED AFTER INSTALLATION.
  - SEDIMENT MUST BE REMOVED WHEN ACCUMULATIONS REACH 1/3 THE ABOVE GROUND HEIGHT OF THE SOCK.
  - ANY SECTION OF COMPOST FILTER SOCK WHICH HAVE BEEN UNDERMINED OR TOPPED MUST BE IMMEDIATELY REPLACED. CONCENTRATED FLOWS MUST NOT BE DIRECTED TOWARDS ANY COMPOST FILTER SOCK.
  - CONTRACTOR MUST FIELD ADJUST FILTER SOCKS AS NECESSARY. CERTAIN AREAS MAY BE OMITTED AS NECESSARY OR ADDITIONAL MEASURES ADDED BASED ON FIELD CONDITIONS.
  - CONTRACTOR TO MODIFY FILTER SOCK CONDITIONS AS SITE GRADING IS REVISED. FILTER SOCKS MUST BE IN PLACE WHEN A RAINFALL GREATER THAN 0.25" IS EXPECTED.



SEDIMENT TRAP DIMENSIONS	TRAP TYPICAL
TRIBUTARY DRAINAGE AREA	1.0-5.0 AC
WET STORAGE DEPTH (Dw)	3.00 FT
DRY STORAGE DEPTH (Dd)	2.00 FT
TOTAL DEPTH (D)	5.00 FT
BOTTOM OF TRAP AREA (Ab)	1,140 SQFT
WETTED SURFACE AREA (Aw)	3,935 SQFT
SURFACE AREA AT OUTLET (Ad)	9,272 SQFT

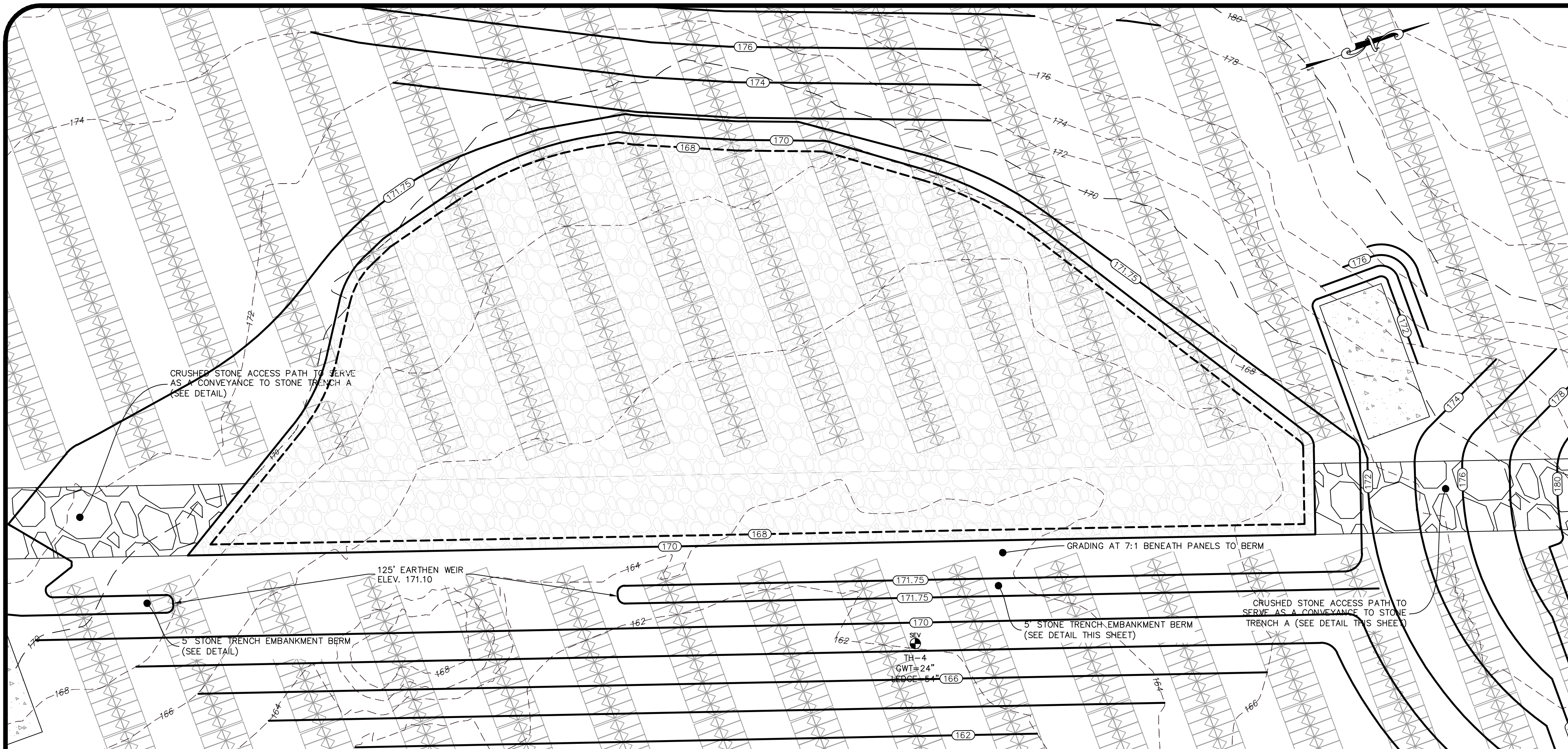


**Soil Erosion and Sediment Control Plan**  
**Natick Avenue Solar**  
 Assessor's Plat 22-3 Lots 108 & 119  
 Cranston, Rhode Island  
**Southern Sky Renewable Energy RI, LLC**  
 17 Metro Center Blvd #2007, Warwick, Rhode Island 02886  
 Tel: 401-943-2901

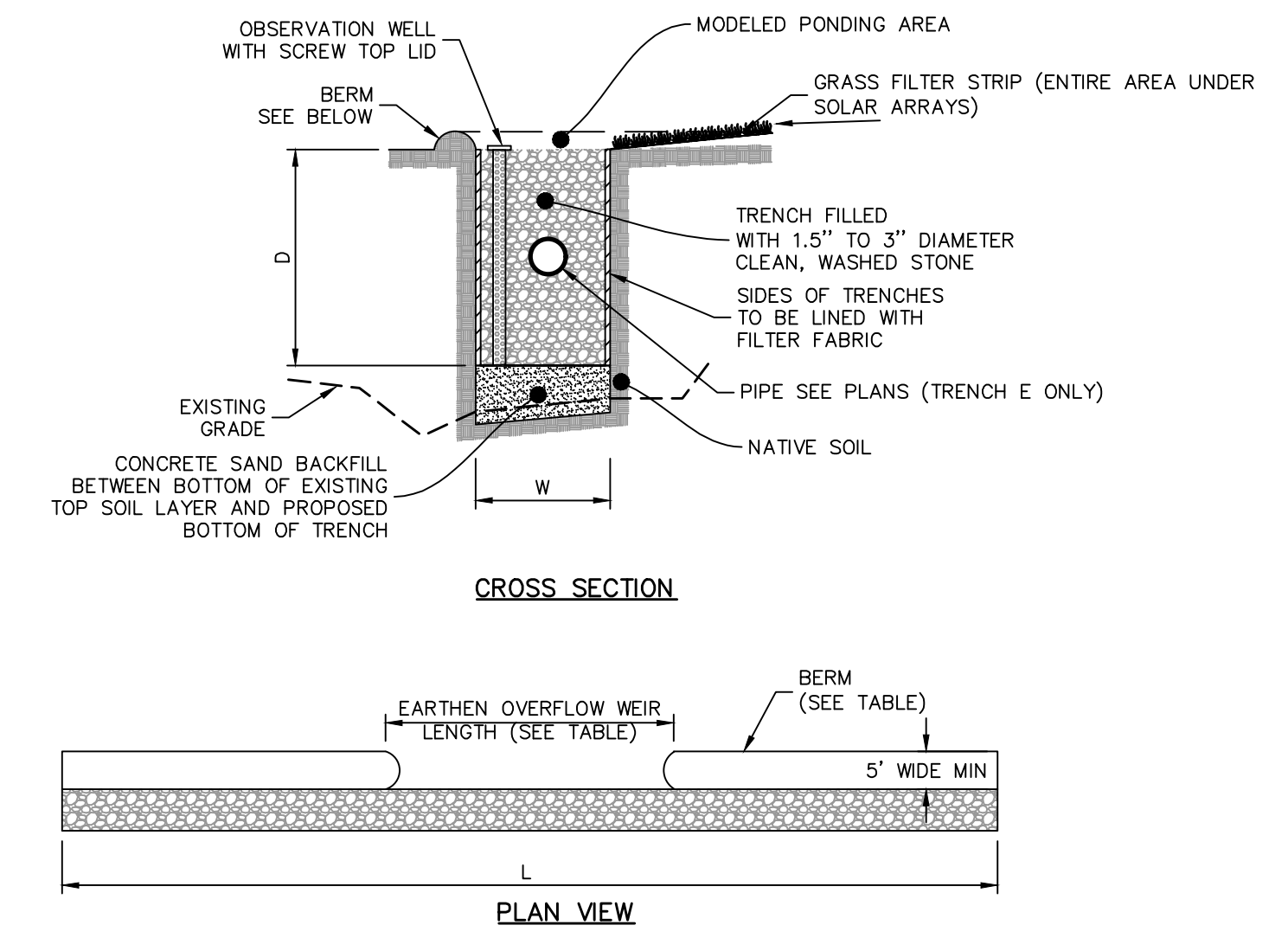
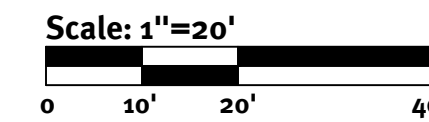
KEVIN DEMERS  
  
 REGISTERED PROFESSIONAL ENGINEER  
 CIVIL

This regulatory submission set shall not be used for construction purposes unless stamped 'Issued for Construction' and signed by a Diprete Engineering representative.  
 The contractor is responsible for all of the means, methods, safety, precautions and requirements, and OSHA compliance in the implementation of this plan and design.

**Diprete Engineering**  
 Two Stafford Court, Cranston, RI 02920  
 Tel: 401-943-1000 Fax: 401-464-6006 www.diprete-eng.com  
**Boston • Providence • Newport**



Stone Trench A

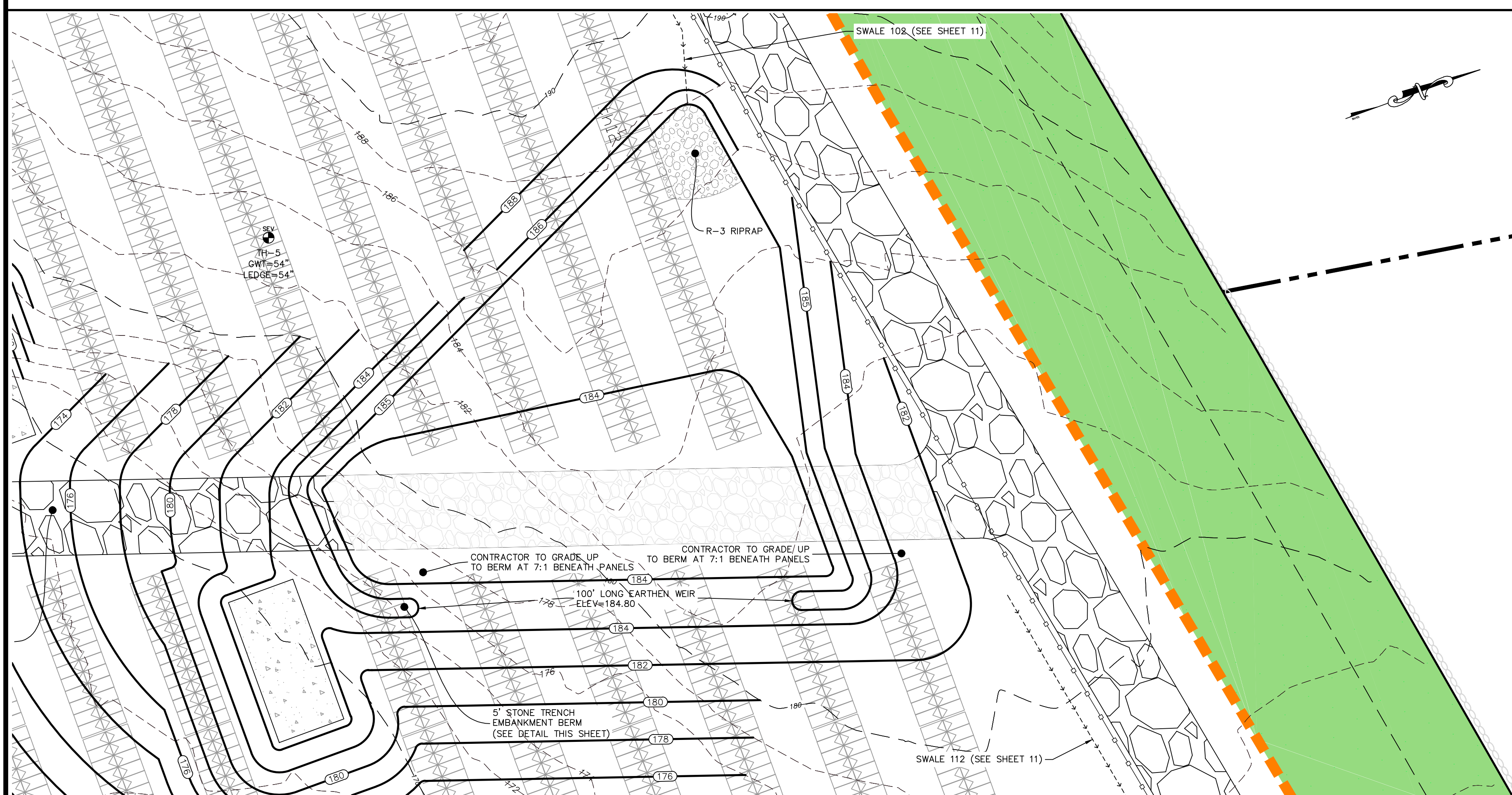


LOCATION	TRENCH DEPTH (D)	TRENCH WIDTH (W)	TRENCH LENGTH (L)	BERM HEIGHT	WEIR LENGTH	TH#: SHWT
TRENCH A	24"	VARIES	310'+	21"	125'	TH-4; 160.2
TRENCH E	24"	VARIES	160'	18"	100'	TH-5; 178.0

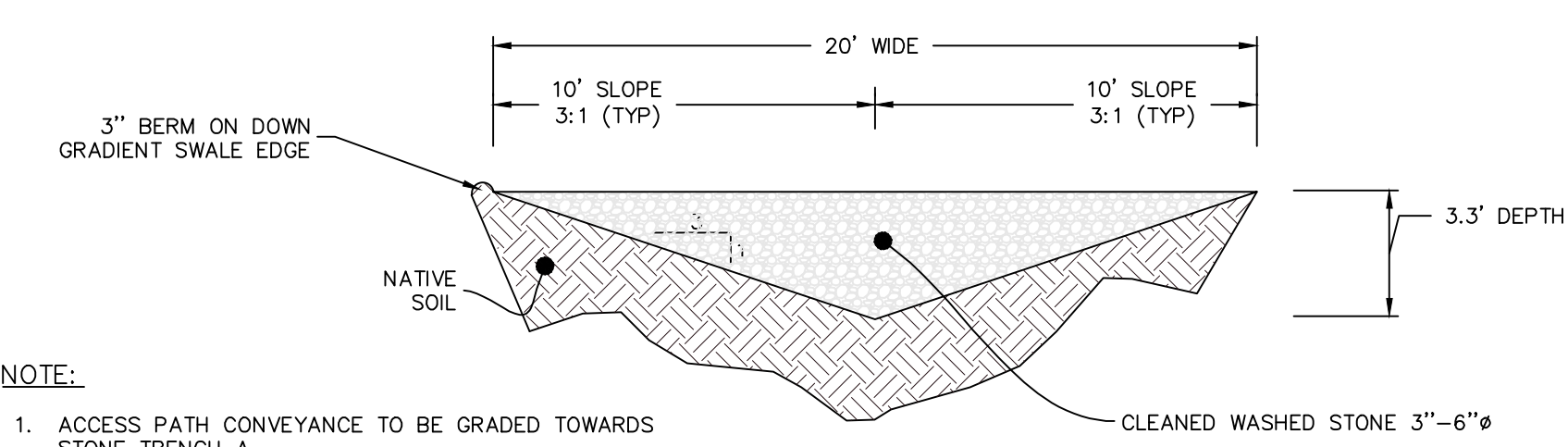
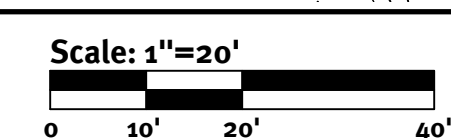
- NOTE:**
- ALL BERMS WILL RUN THE FULL LENGTH AND SIDES OF THE STONE TRENCH TO PROVIDE STORMWATER PONDING STORAGE.
  - ALL STONE TRENCHES ARE TO INCLUDE AN EARTHEN OVERFLOW WEIR (SEE TABLE AND PLANS).

DESCRIPTION	A	E
TOP OF BERM ELEVATION	171.75	185.00
TOP OF STONE ELEVATION	170.00	183.50
100 YEAR STORM ELEVATION	171.31	184.93
10 YEAR STORM ELEVATION	170.68	184.81
1 YEAR STORM ELEVATION	168.34	182.65
BOTTOM OF TRENCH ELEVATION	168.00	181.50
WEIR INVERT	171.10	184.80

Stone Trench Detail  
NOT TO SCALE

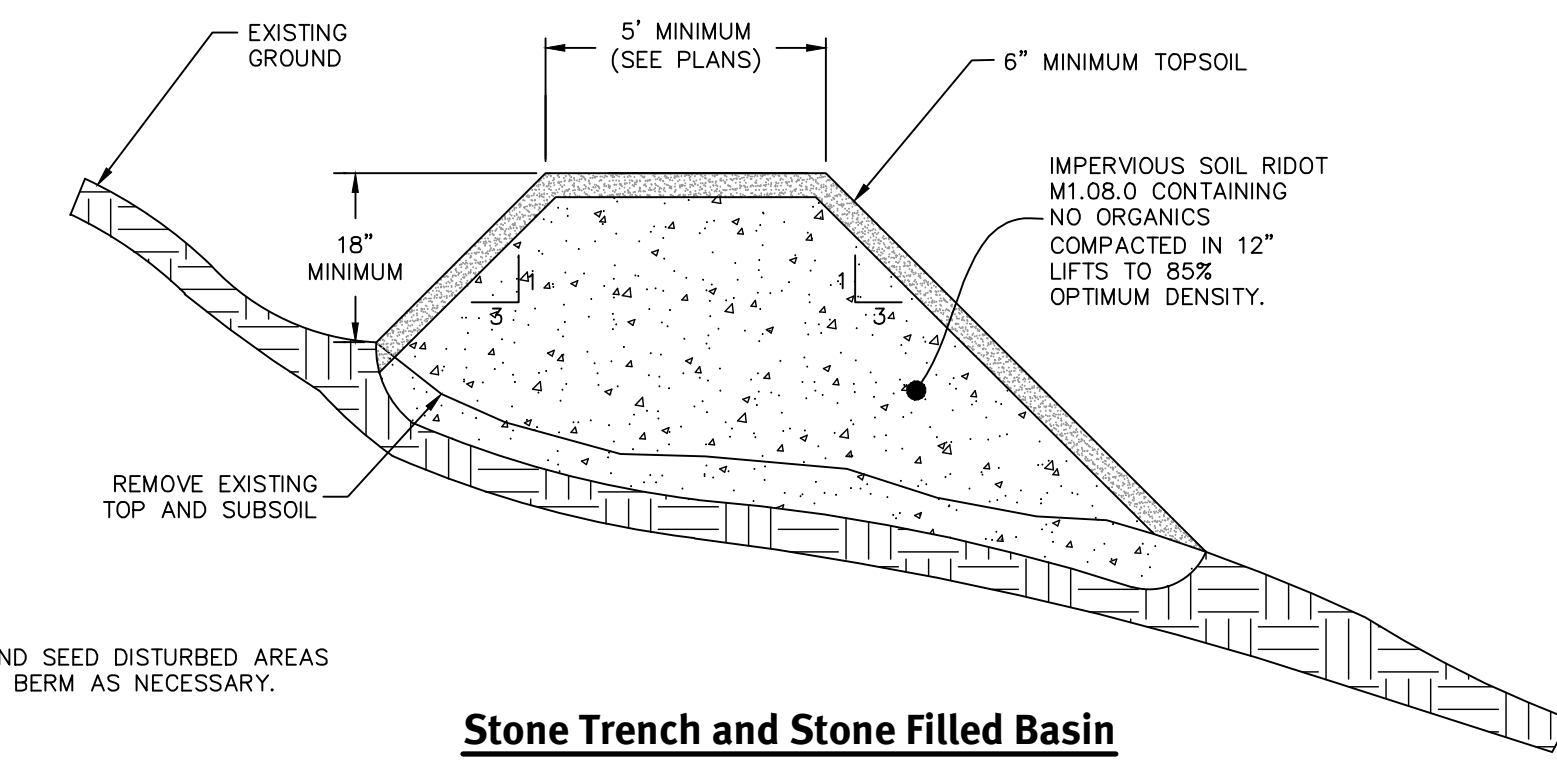


Stone Trench E



- NOTE:**
- ACCESS PATH CONVEYANCE TO BE GRADED TOWARDS STONE TRENCH A.

Crushed Stone Access Path Stone Conveyance  
NOT TO SCALE



- NOTE:**
- LOAM AND SEED DISTURBED AREAS AROUND BERM AS NECESSARY.

Stone Trench and Stone Filled Basin Embankment Berm  
NOT TO SCALE

**KEVIN DEMERS**  
REGISTERED PROFESSIONAL ENGINEER CIVIL

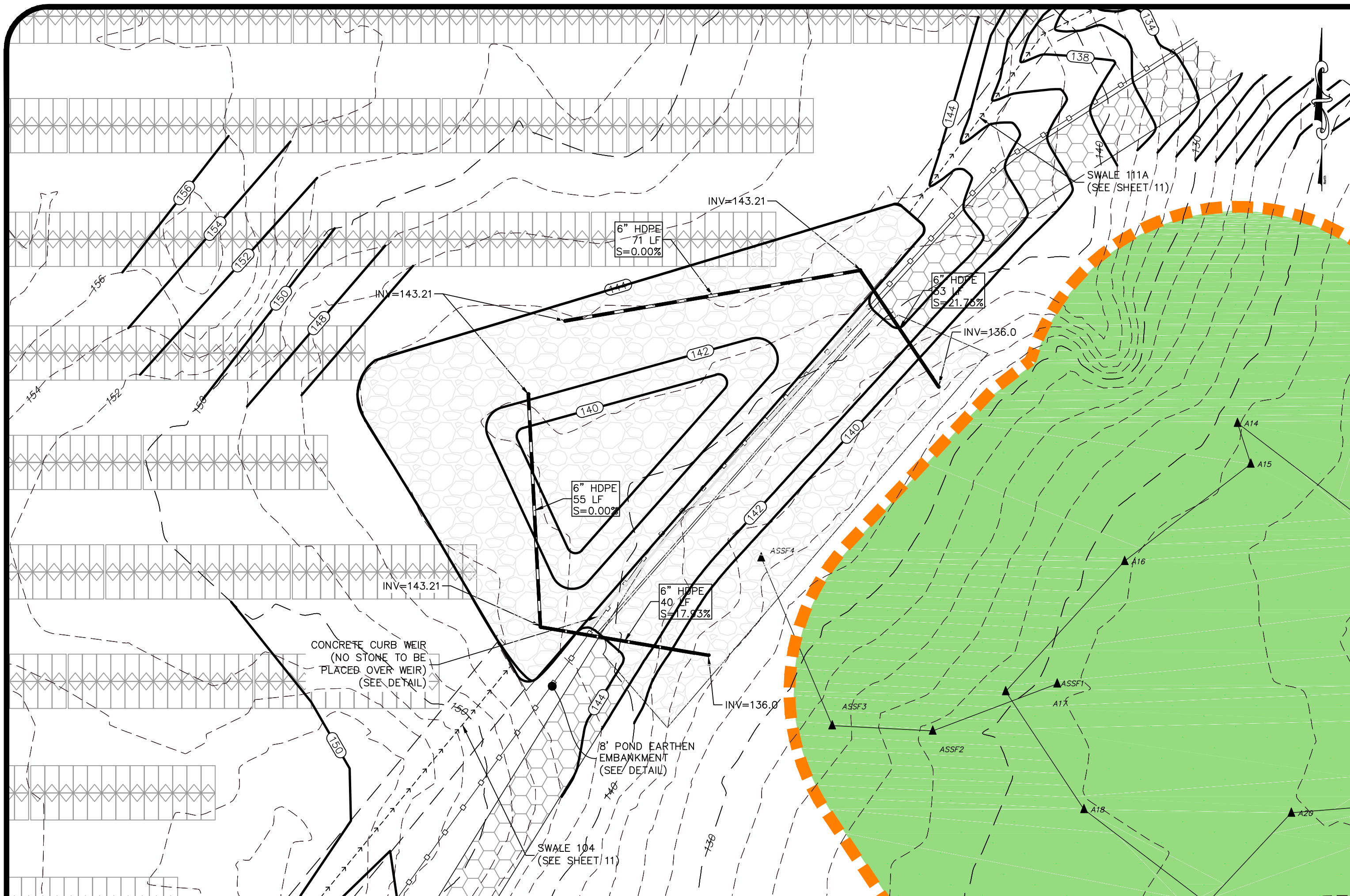
This regulatory submission set shall not be used for construction purposes unless stamped 'Issued for Construction' and signed by a DIPrete Engineering representative.

The contractor is responsible for all of the means, methods, safety, precautions and requirements, and OSHA compliance in the implementation of this plan and design.

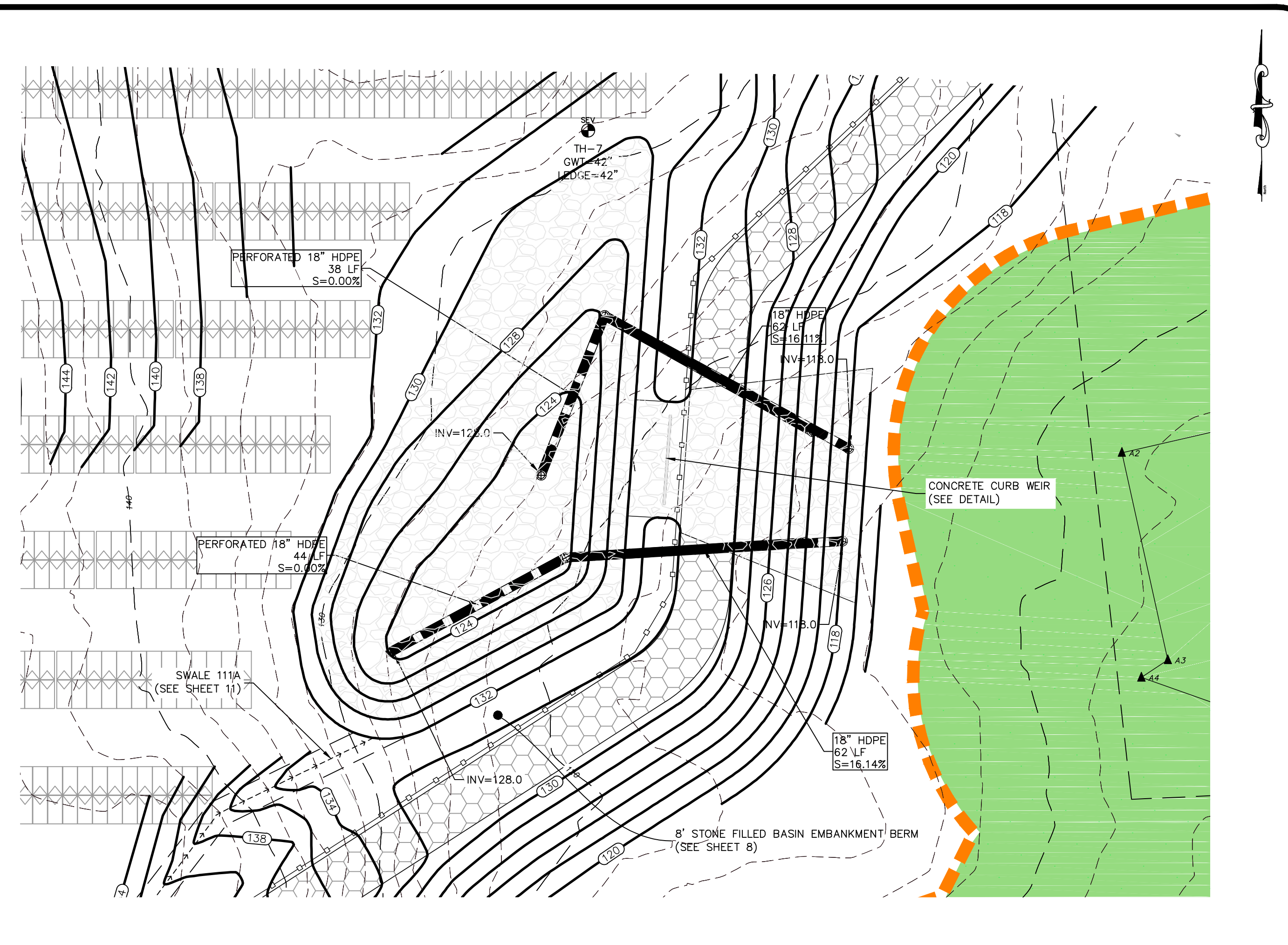
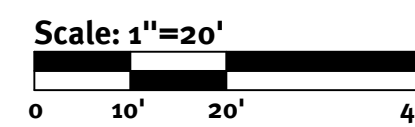
No.	Date	Description	Drawn By: SEK	Design By: SEK
1	11/07/2020	Preliminary Submission		

c:\demain\project\12437-015 natick avenue solar\external drawings\2437-015-bmp.dwg, plotted: 11/07/2020

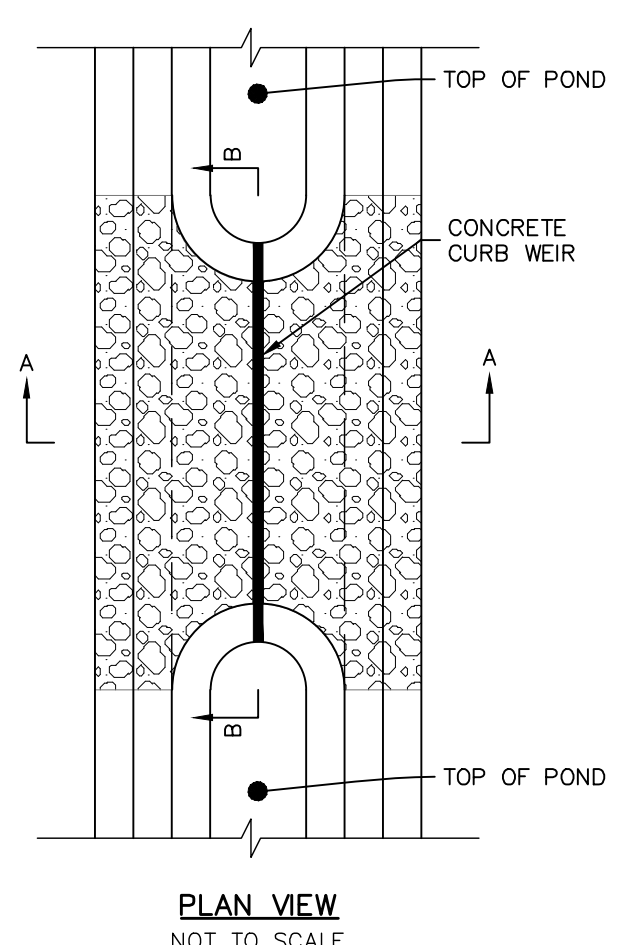
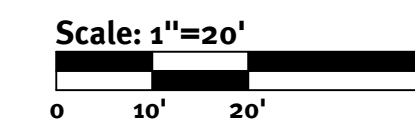




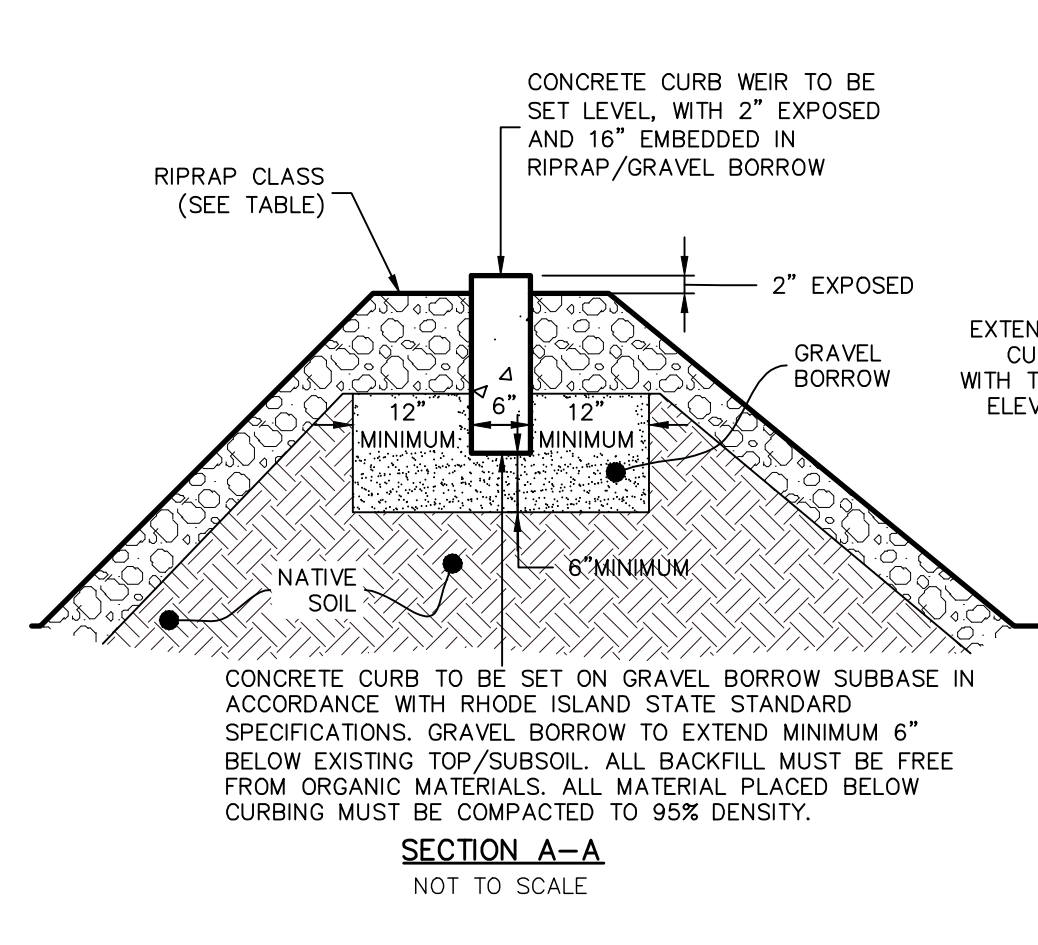
Stone Filled Basin B



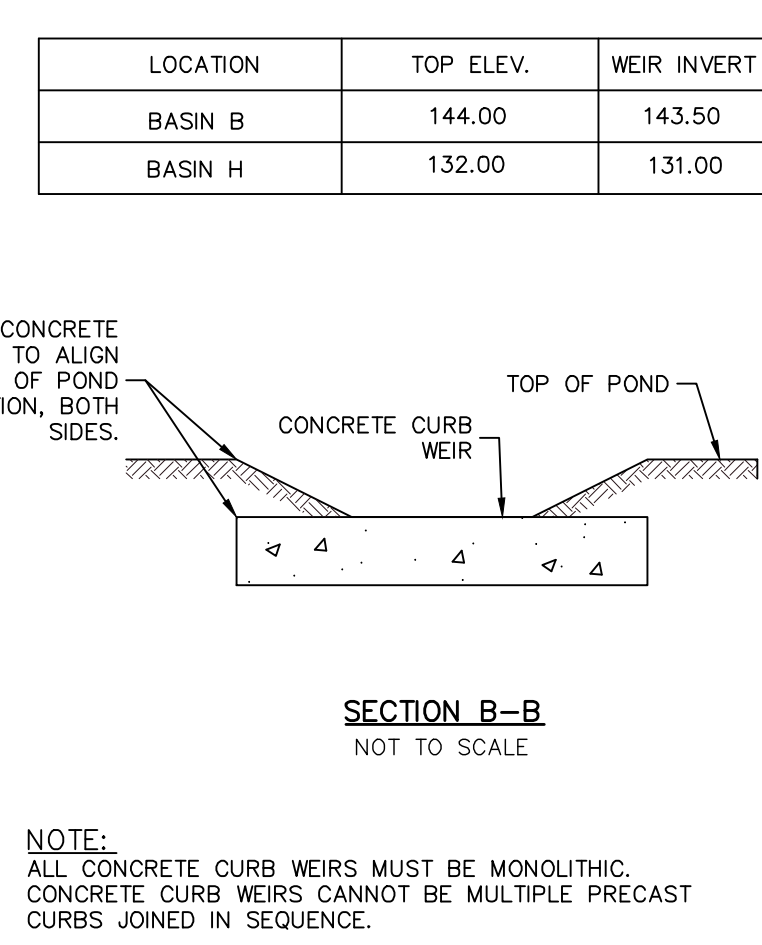
Stone Filled Basin H



PLAN VIEW  
NOT TO SCALE



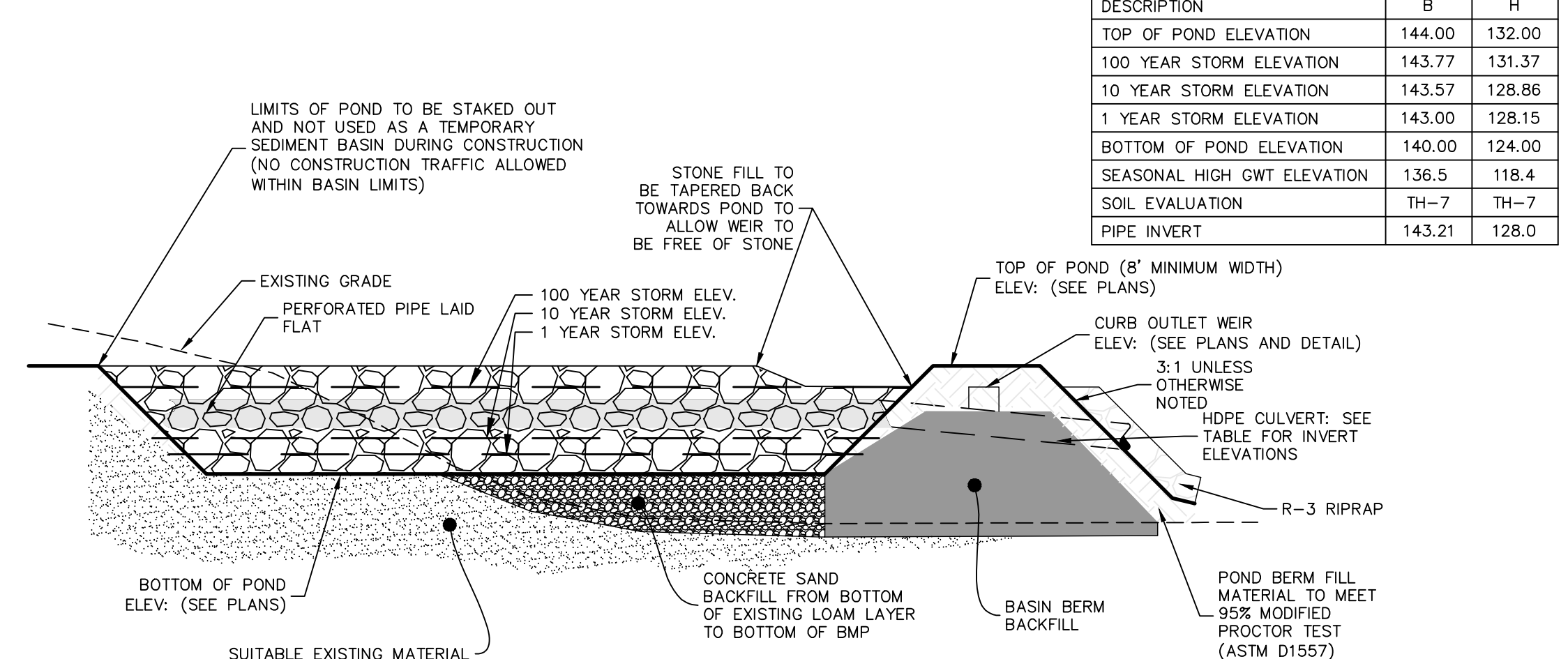
SECTION A-A  
NOT TO SCALE



SECTION B-B  
NOT TO SCALE

NOTE:  
ALL CONCRETE CURB WEIRS MUST BE MONOLITHIC.  
CONCRETE CURB WEIRS CANNOT BE MULTIPLE PRECAST  
CURBS JOINED IN SEQUENCE.

LOCATION	TOP ELEV.	WEIR INVERT	WEIR DEPTH	WEIR LENGTH	RIPRAP CLASS
BASIN B	144.00	143.50	0.50	100.0'	R-3
BASIN H	132.00	131.00	1.00	20.0'	R-3



Stone Filled Basin  
NOT TO SCALE

DESCRIPTION	B	H
TOP OF POND ELEVATION	144.00	132.00
100 YEAR STORM ELEVATION	143.77	131.37
10 YEAR STORM ELEVATION	143.57	128.86
1 YEAR STORM ELEVATION	143.00	128.15
BOTTOM OF POND ELEVATION	140.00	124.00
SEASONAL HIGH GWT ELEVATION	136.5	118.4
SOIL EVALUATION	TH-7	TH-7
PIPE INVERT	143.21	128.0

z:\demain\project\12437-015\_natick\_avenue\_solar\vertical\drawings\12437-015\_pdm.dwg Plotter: 11/6/2020

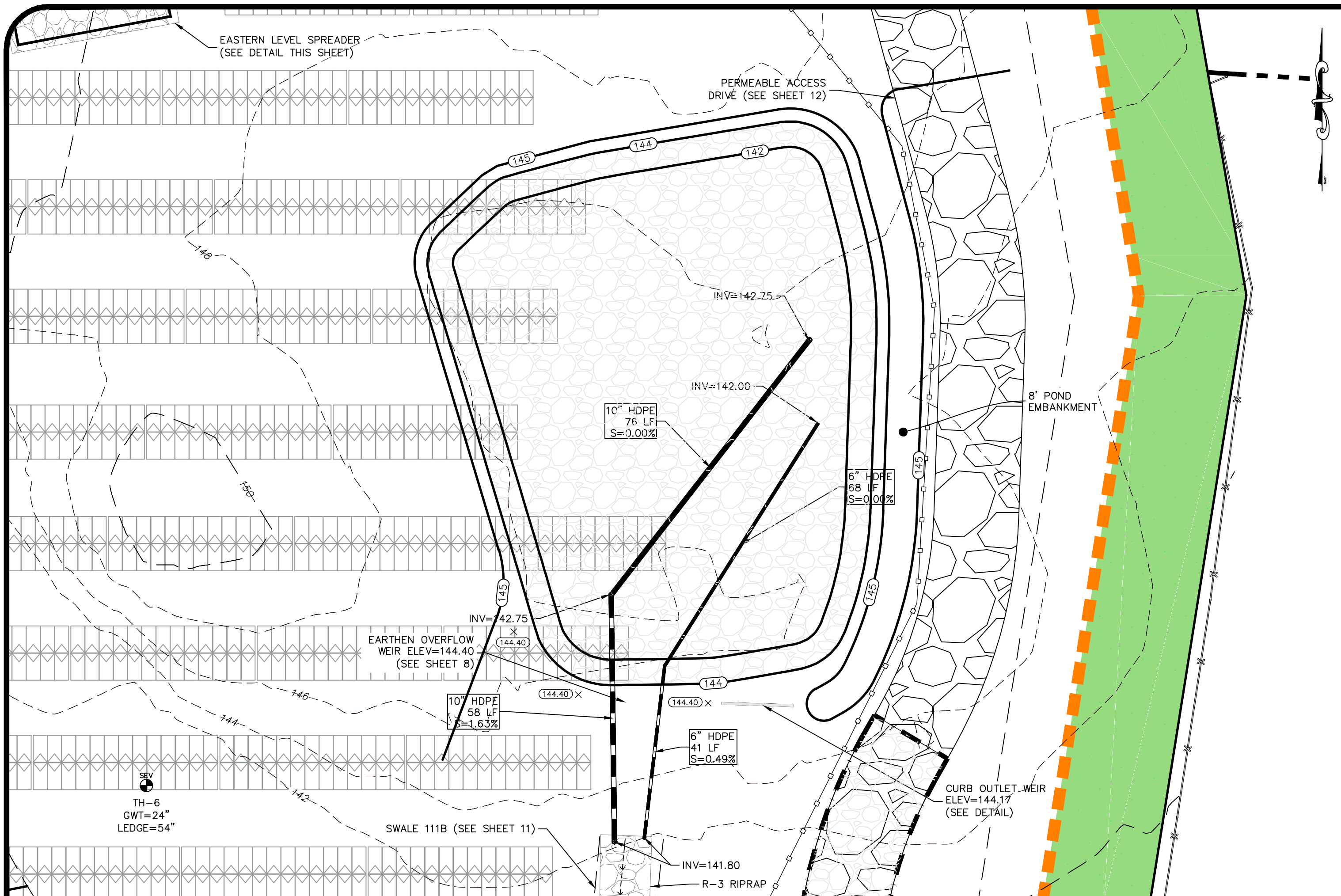
**BMP Details - B & H**  
**Natick Avenue Solar**  
 Assessor's Plat 22-3 Lots 108 & 119  
 Cranston, Rhode Island  
**Southern Sky Renewable Energy RI, LLC**  
 Client  
 17 Metro Center Blvd #2007, Warwick, Rhode Island 02886  
 Tel: 401-943-2901

**DIPrete Engineering**  
 Two Stafford Court, Cranston, RI 02920  
 Tel: 401-943-1000 Fax: 401-464-6006 www.diprete-eng.com

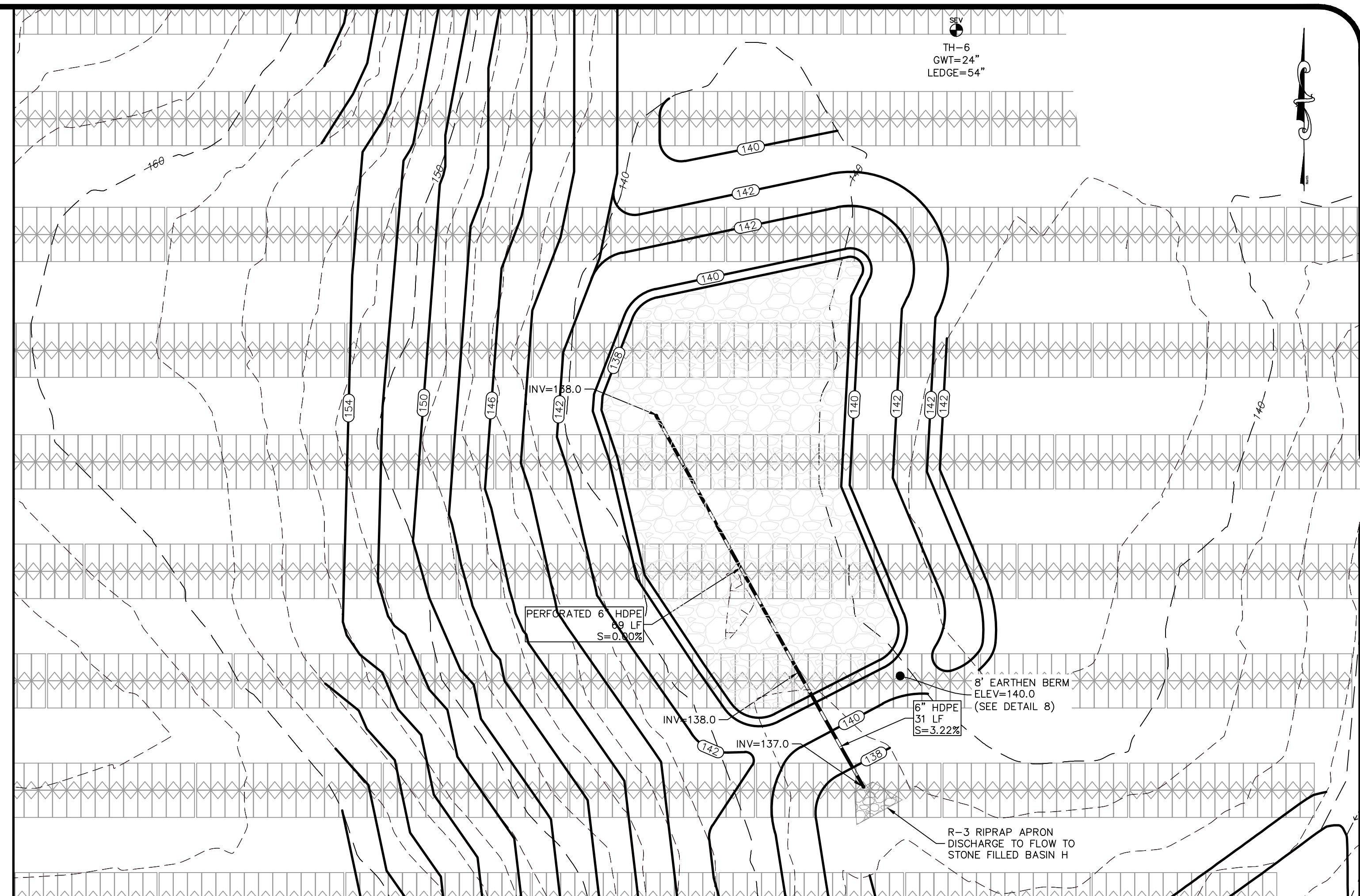
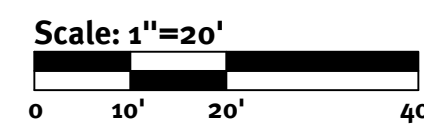
**KEVIN DEMERS**  
 REGISTERED PROFESSIONAL ENGINEER  
 CIVIL

This regulatory submission set shall not be used for construction purposes unless stamped 'Issued for Construction' and signed by a DIPrete Engineering representative.  
 The contractor is responsible for all of the means, methods, safety, precautions and requirements, and OSHA compliance in the implementation of this plan and design.

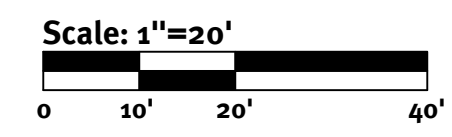
No.	Date	Description	Drawn By: SEK	Design By: SEK
1	11/06/2020	Preliminary Submission		



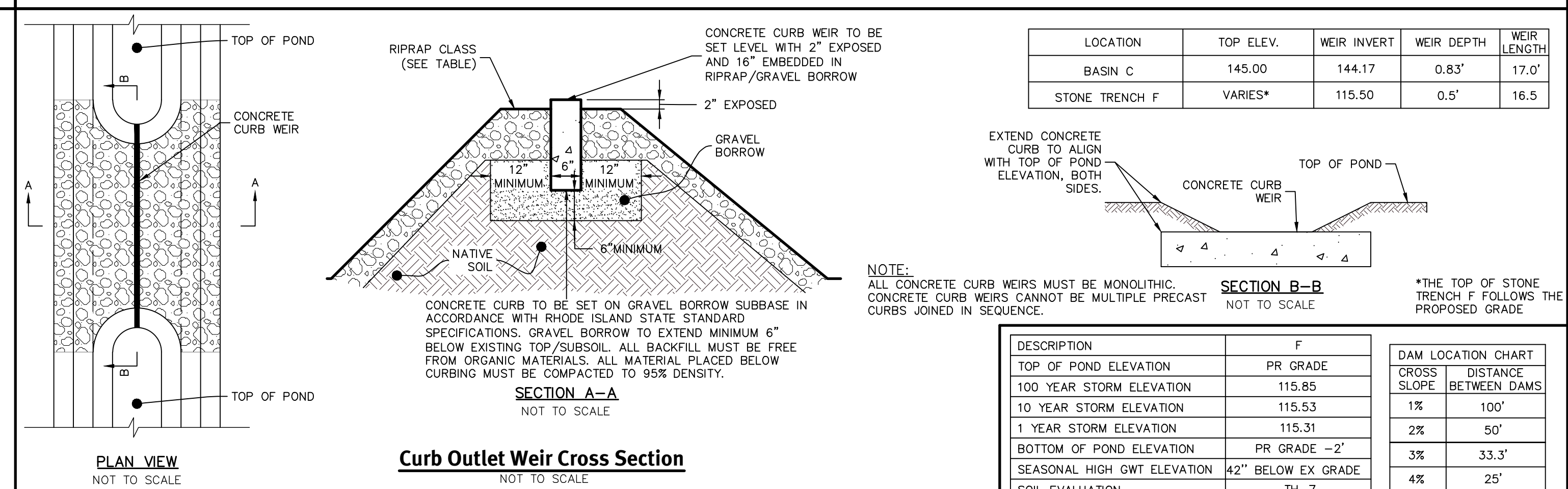
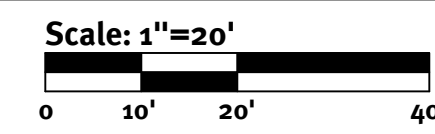
Stone Filled Basin C (LINED)



Stone Filled Basin G



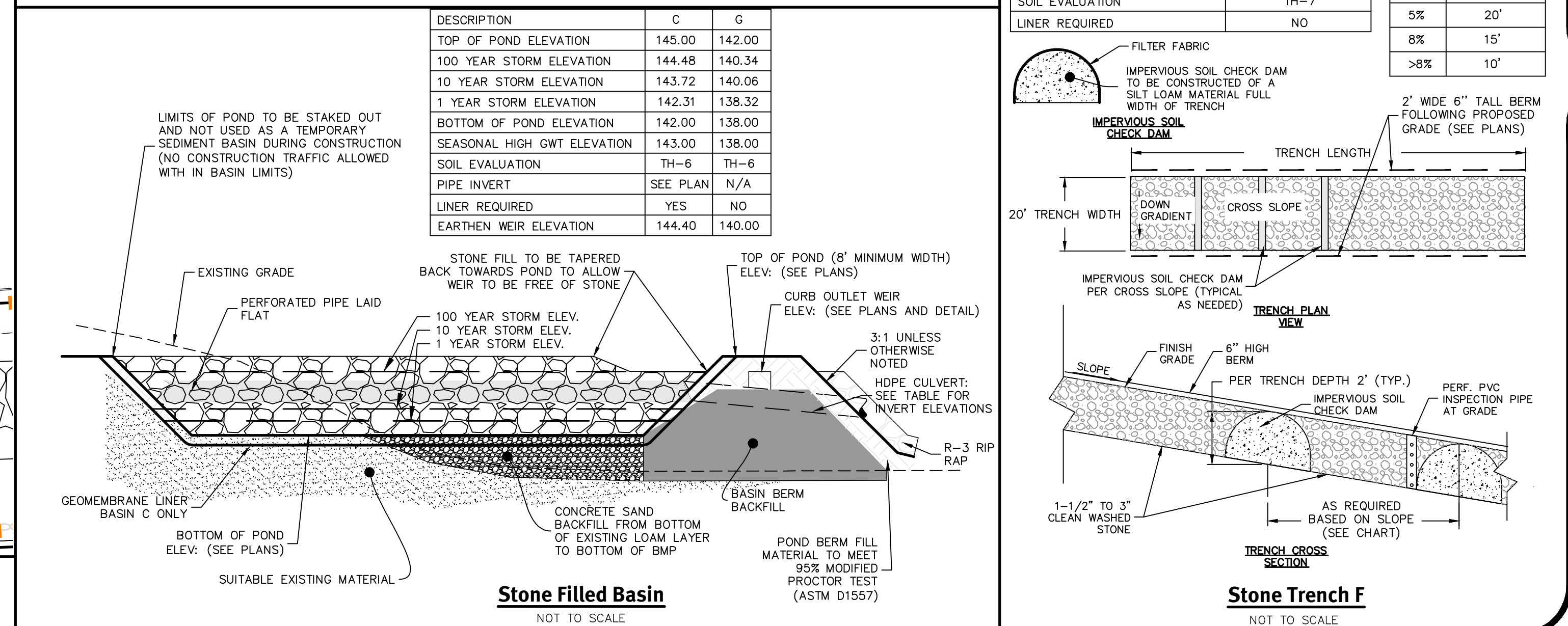
Stone Trench F



Curb Outlet Weir Cross Section

LOCATION	TOP ELEV.	WEIR INVERT	WEIR DEPTH	WEIR LENGTH
BASIN C	145.00	144.17	0.83'	17.0'
STONE TRENCH F	VARIABLE*	115.50	0.5'	16.5'

DESCRIPTION	F	DAM LOCATION CHART
TOP OF POND ELEVATION	PR GRADE	CROSS SLOPE
100 YEAR STORM ELEVATION	115.85	DISTANCE BETWEEN DAMS
10 YEAR STORM ELEVATION	115.53	1% 100'
1 YEAR STORM ELEVATION	115.31	2% 50'
BOTTOM OF POND ELEVATION	PR GRADE - 2'	3% 33.3'
SEASONAL HIGH GWT ELEVATION	42" BELOW EX GRADE	4% 25'
SOIL EVALUATION	TH-7	5% 20'
LINER REQUIRED	NO	8% 15'
		>8% 10'



Stone Filled Basin

Stone Trench F

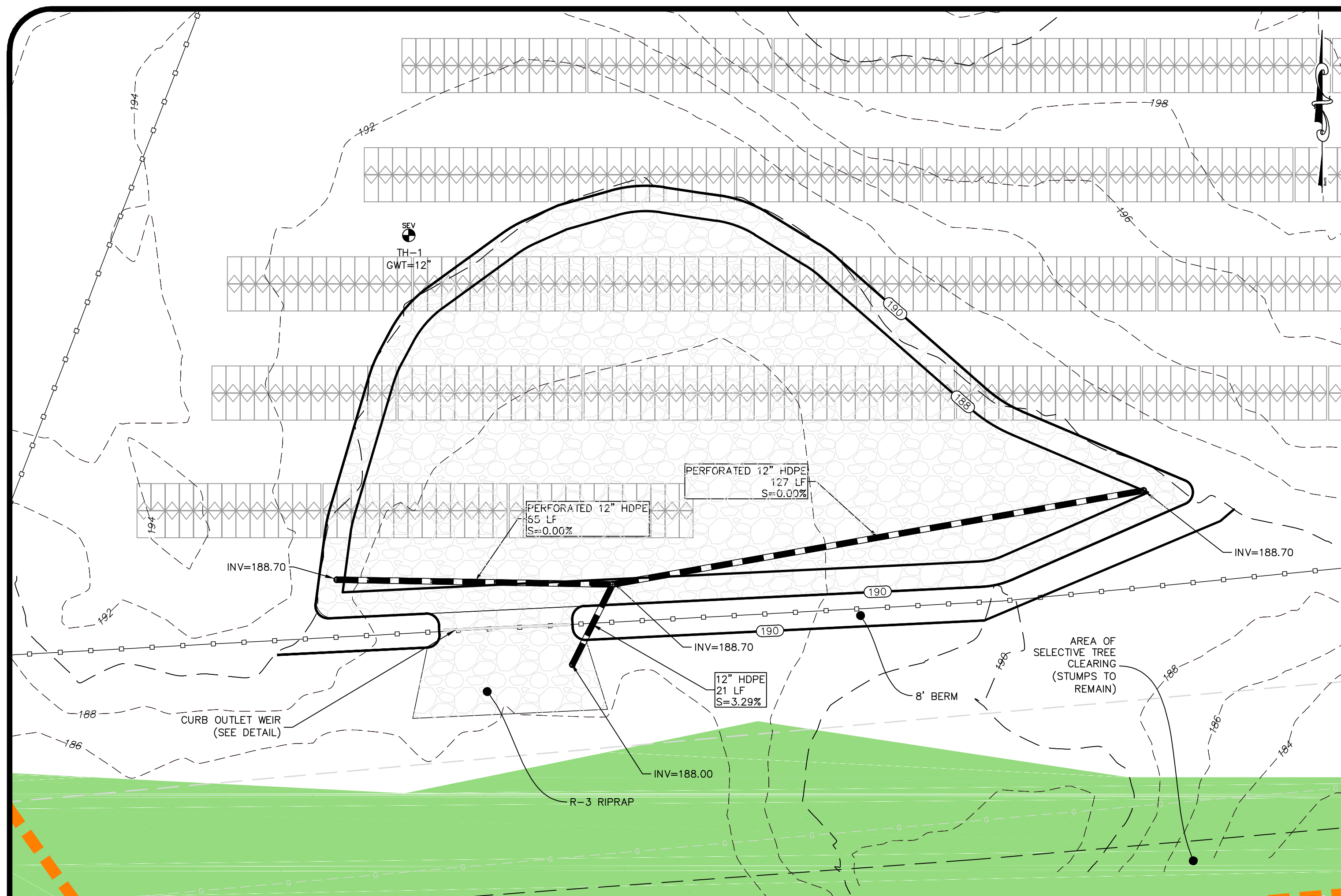
**DIPrete Engineering**  
 Two Stafford Court, Cranston, RI 02920  
 Tel: 401-943-1000 Fax: 401-464-6006 www.diprete-eng.com

**KEVIN DEMERS**  
 REGISTERED PROFESSIONAL ENGINEER  
 CIVIL

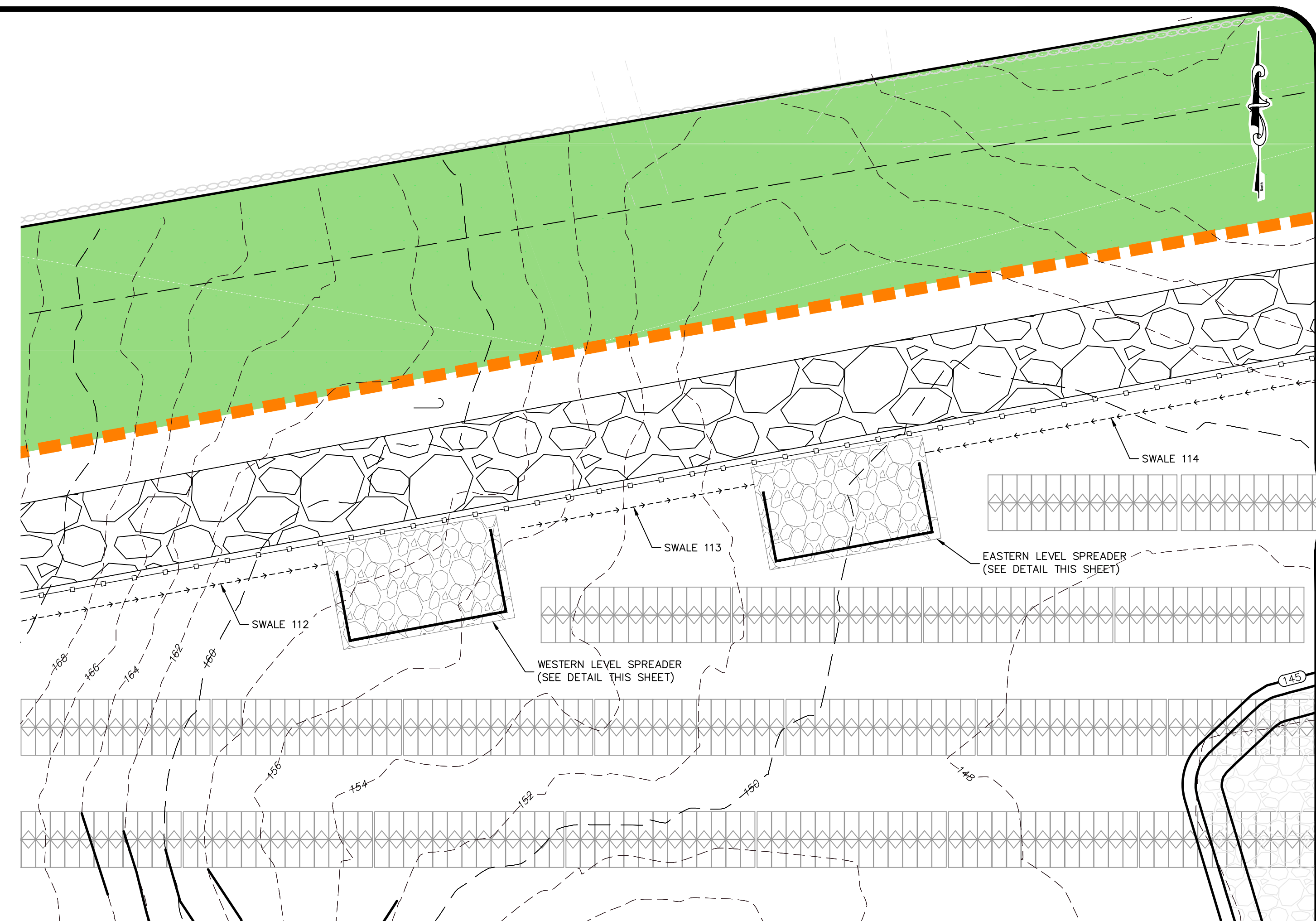
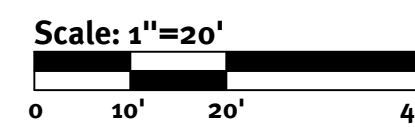
This regulatory submission set shall not be used for construction purposes unless stamped 'Issued for Construction' and signed by a Diprete Engineering representative.  
 The contractor is responsible for all of the means, methods, safety, precautions and requirements, and OSHA compliance in the implementation of this plan and design.

No.	Date	Description	Drawn By: SEK	Design By: SEK
1	11/07/2020	Final Submission		

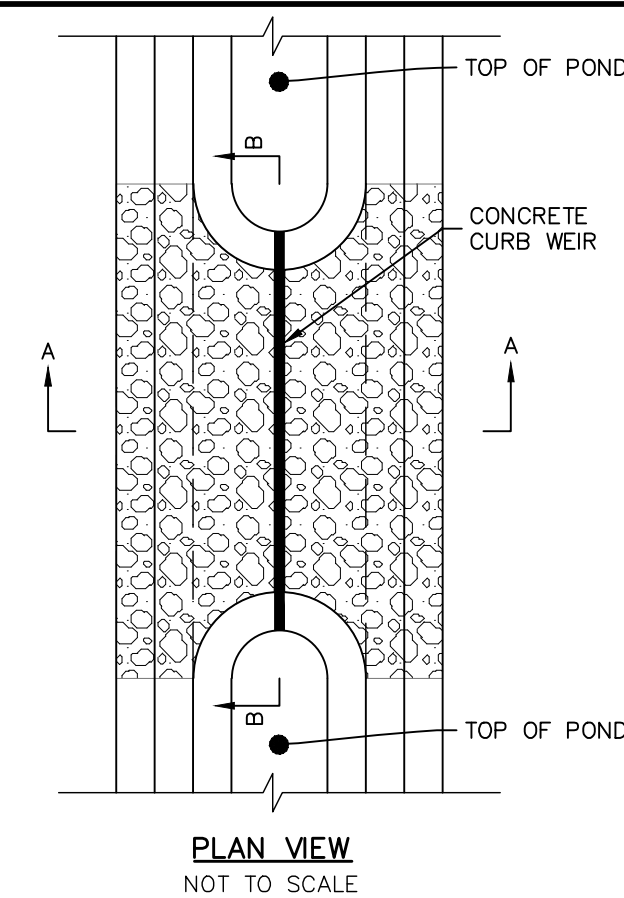
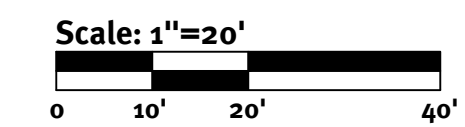
**BMP Details - C, G & F**  
**Natick Avenue Solar**  
 Assessor's Plat 22-3 Lots 108 & 119  
 Cranston, Rhode Island  
**Southern Sky Renewable Energy RI, LLC**  
 17 Micro Center Blvd #2007, Warwick, Rhode Island 02886  
 Tel: 401-943-1000



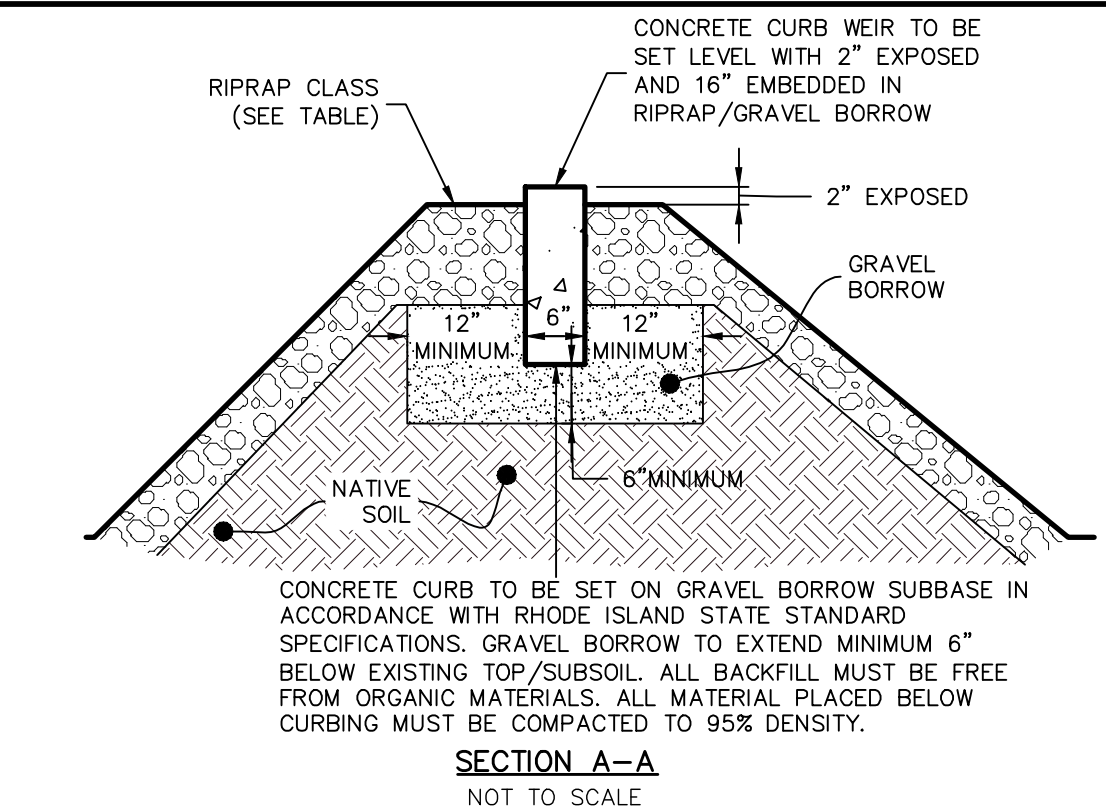
Stone Filled Basin D



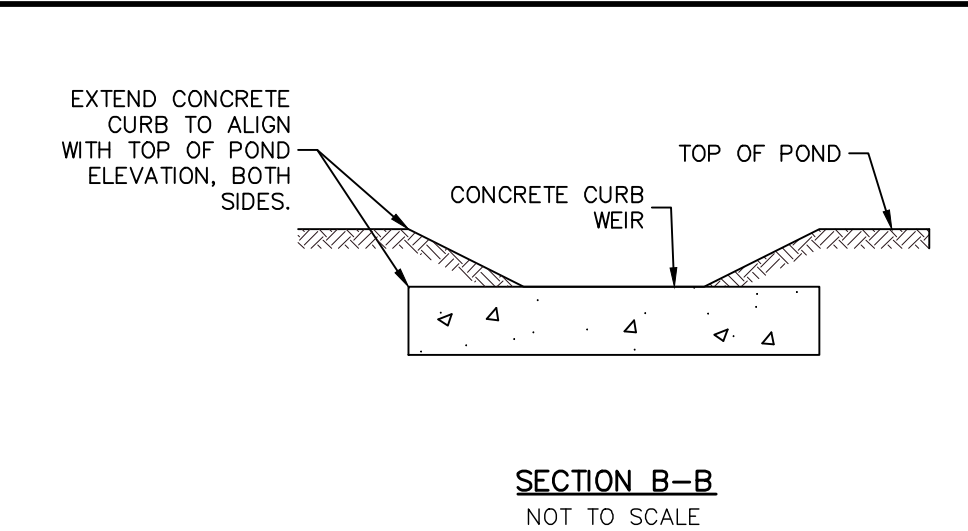
Swale and Culvert Detail



PLAN VIEW  
NOT TO SCALE



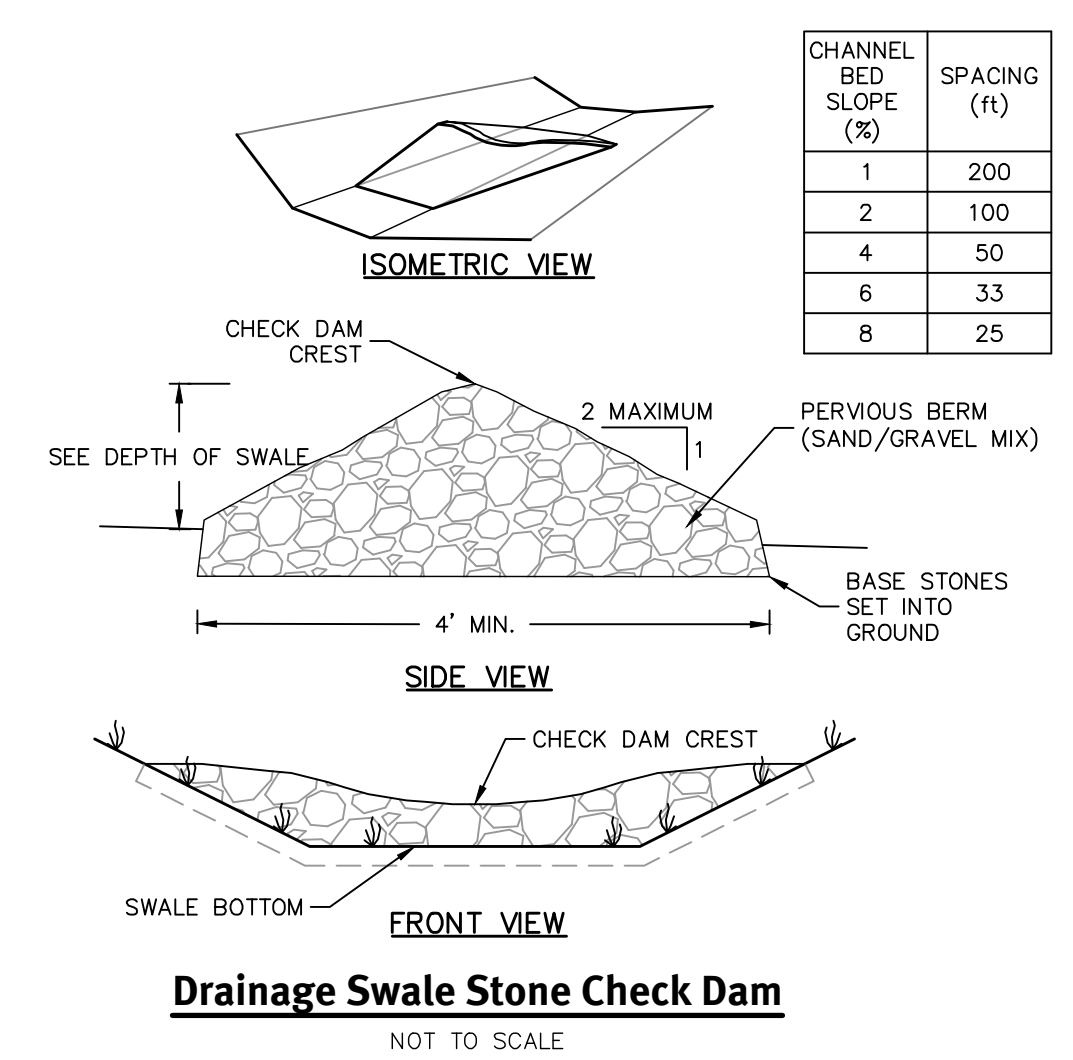
SECTION A-A  
NOT TO SCALE



SECTION B-B  
NOT TO SCALE

NOTE: ALL CONCRETE CURB WEIRS MUST BE MONOLITHIC. CONCRETE CURB WEIRS CANNOT BE MULTIPLE PRECAST CURBS JOINED IN SEQUENCE.

LOCATION	TOP ELEV.	WEIR INVERT	WEIR DEPTH	WEIR LENGTH
BASIN D	190.00	189.75	0.25'	30.0'

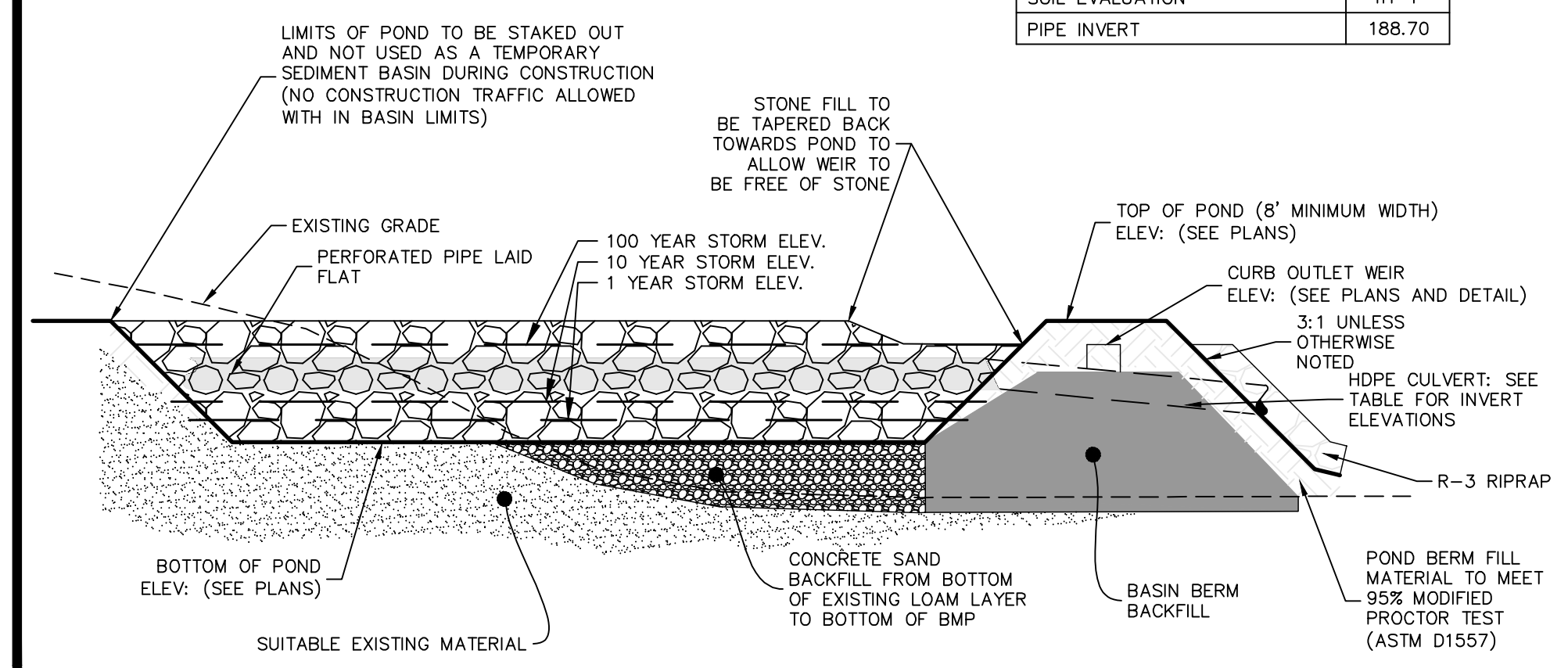


Drainage Swale Stone Check Dam  
NOT TO SCALE

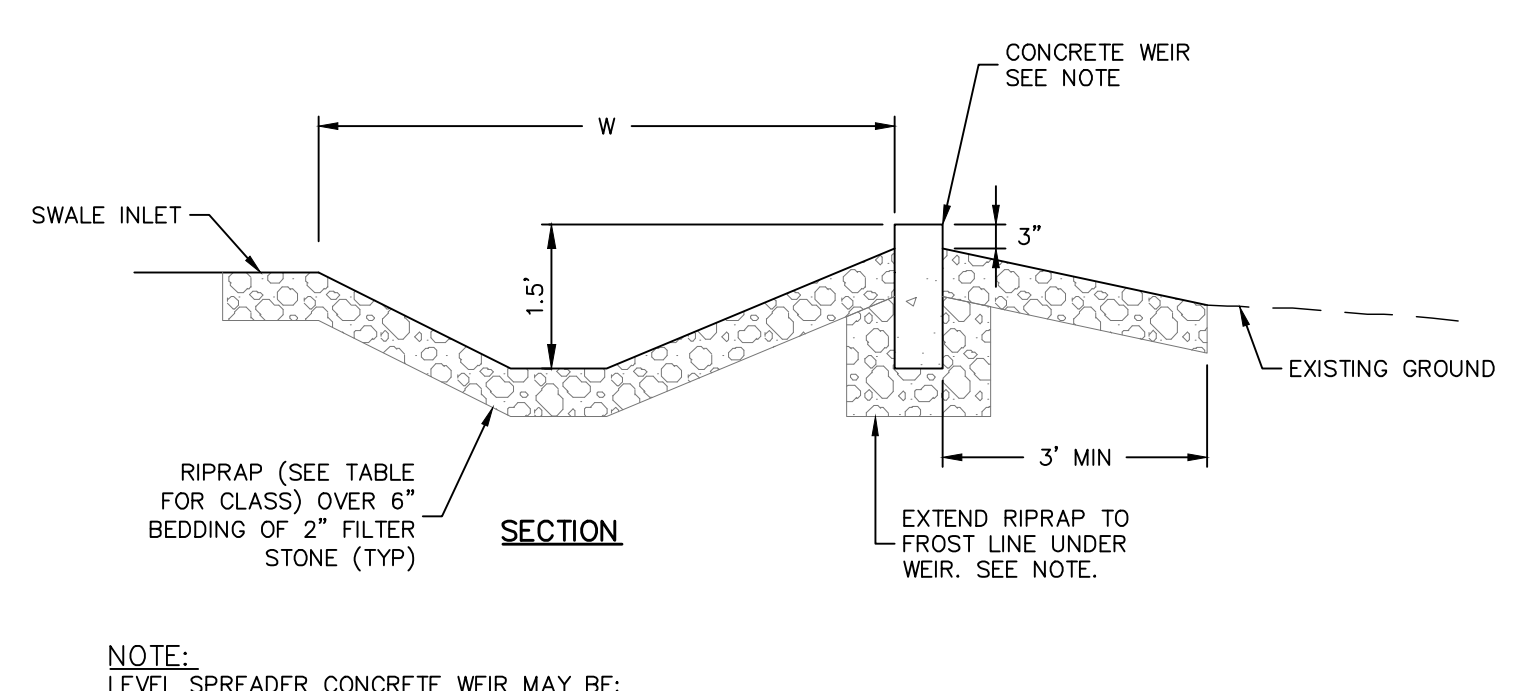
CHANNEL BED SLOPE (%)	SPACING (ft)
1	200
2	100
4	50
6	33
8	25

DESCRIPTION	D
TOP OF POND ELEVATION	190.00
100 YEAR STORM ELEVATION	189.73
10 YEAR STORM ELEVATION	188.92
1 YEAR STORM ELEVATION	188.38
BOTTOM OF POND ELEVATION	188.00
SEASONAL HIGH GWT ELEVATION	187.0
SOIL EVALUATION	TH-1
PIPE INVERT	188.70

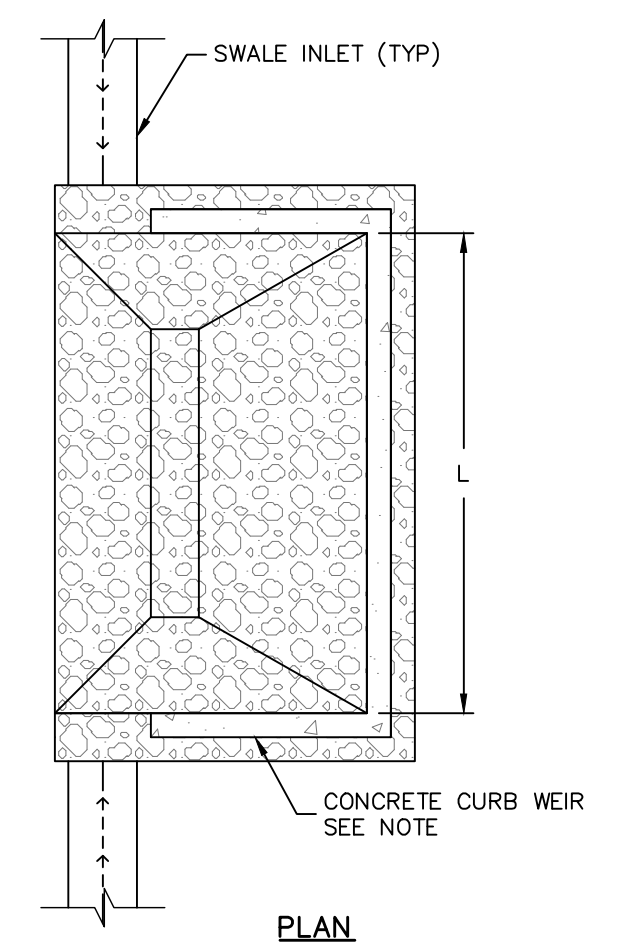
LOCATION	INVERT	WIDTH (W)	LENGTH (L)	CONCRETE CURB WEIR ELEV.	RIPRAP CLASS
WESTERN	159.0	23'	40'	160.5	R-3
EASTERN	148.8	23'	40'	150.3	R-3



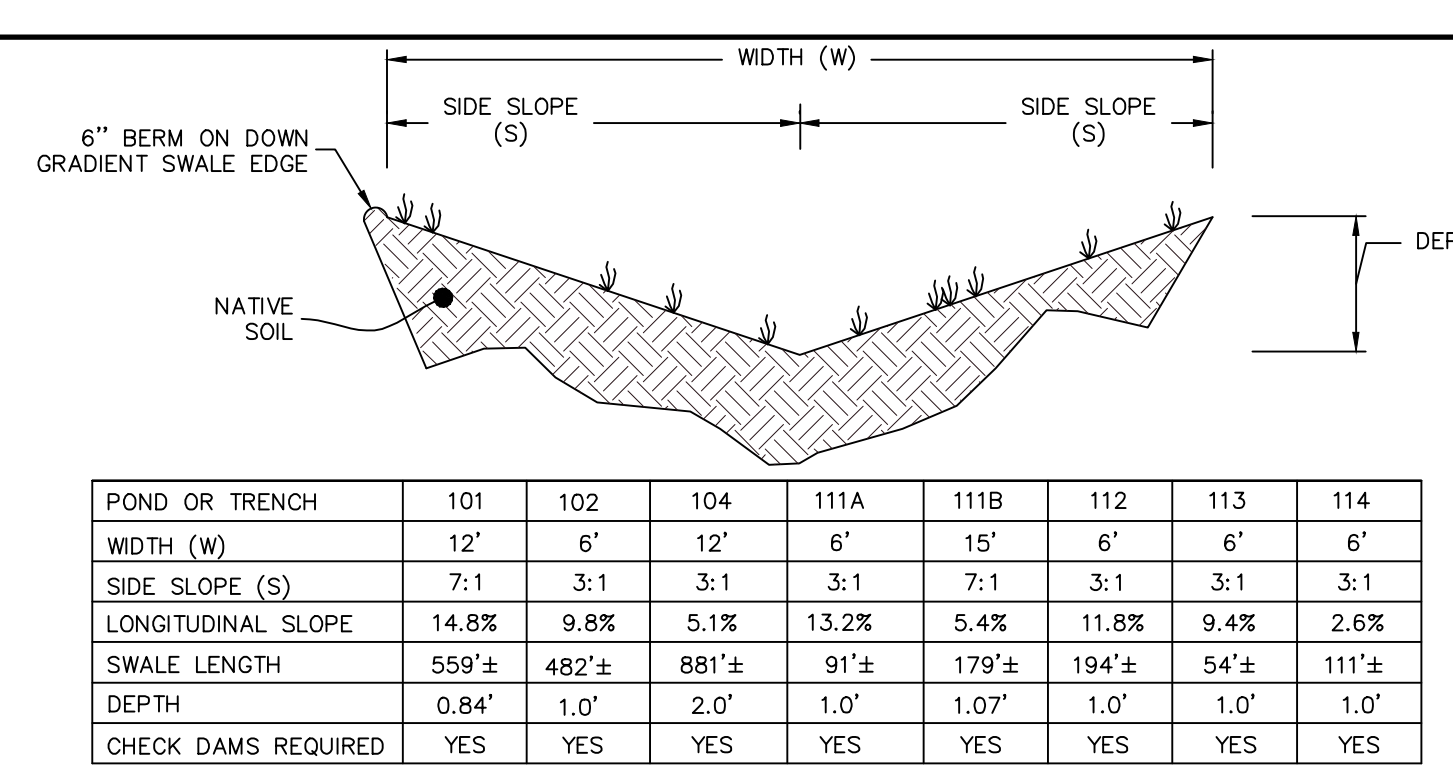
Stone Filled Basin  
NOT TO SCALE



Level Spreader  
NOT TO SCALE



PLAN



Swale Cross Section  
NOT TO SCALE

POND OR TRENCH	101	102	104	111A	111B	112	113	114
WIDTH (W)	12'	6'	12'	6'	15'	6'	6'	6'
SIDE SLOPE (S)	7:1	3:1	3:1	3:1	7:1	3:1	3:1	3:1
LONGITUDINAL SLOPE	14.8%	9.8%	5.1%	13.2%	5.4%	11.8%	9.4%	2.6%
SWALE LENGTH	559'±	482'±	881'±	91'±	179'±	194'±	54'±	111'±
DEPTH	0.84'	1.0'	2.0'	1.0'	1.07'	1.0'	1.0'	1.0'
CHECK DAMS REQUIRED	YES	YES	YES	YES	YES	YES	YES	YES

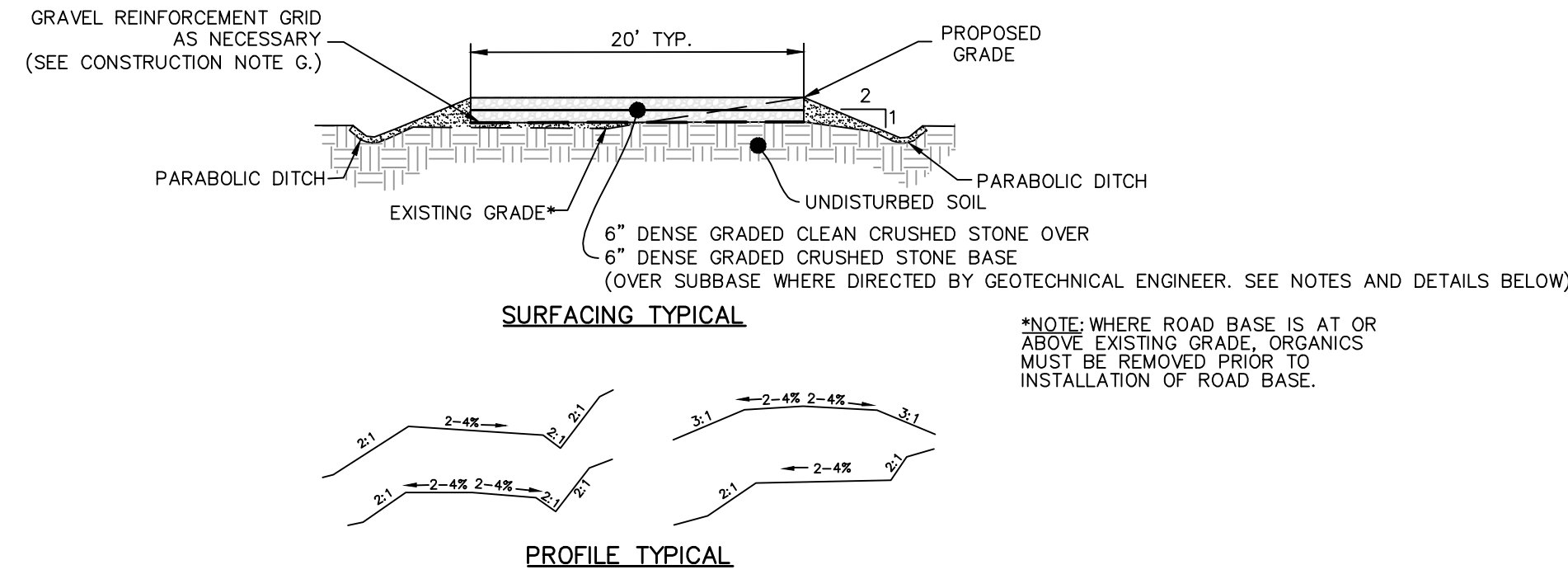
**BMP Details - D & Swales**  
**Natick Avenue Solar**  
 Assessor's Plat 22-3 Lots 108 & 119  
 Cranston, Rhode Island  
**Southern Sky Renewable Energy RI, LLC**  
 17 Micro Center Blvd #2007, Warwick, Rhode Island 02886  
 401-925-2720

**DIPrete Engineering**  
 Two Stafford Court, Cranston, RI 02920  
 Tel: 401-943-1000 Fax: 401-464-6006 www.diprete-eng.com

**KEVIN DEMERS**  
 REGISTERED PROFESSIONAL ENGINEER  
 CIVIL

This regulatory submission set shall not be used for construction purposes unless stamped 'Issued for Construction' and signed by a DIPrete Engineering representative.  
 The contractor is responsible for all of the means, methods, safety, precautions and requirements, and OSHA compliance in the implementation of this plan and design.

No.	Date	Description	Drawn By: SEK	Design By: SEK
1	11/07/2020	Preliminary Submission		



CLEAN CRUSHED STONE SPECIFICATIONS	
SIEVE DESIGNATION	PERCENTAGE BY MASS (WEIGHT) PASSING SQUARE MESH SIEVES
90mm (3.5in)	100
75mm (3in)	90-100
50mm (2in)	75-100
25mm (1in)	50-80
12.5mm (0.5in)	30-60
4.75mm (No.4)	0-40
7.5um (No. 200)	0

**DENSE GRADED CLEAN CRUSHED STONE:**

A. DENSE GRADED CLEAN CRUSHED STONE MUST CONSIST OF CLEAN, WASHED, HARD, UNIFORMLY GRADED, CRUSHED STONE. IT MUST BE SUFFICIENTLY FREE FROM DIRT, DELETERIOUS MATERIAL, AND PIECES THAT ARE STRUCTURALLY WEAK AND MUST MEET THE FOLLOWING REQUIREMENTS:

B. SOURCE OF MATERIAL MUST BE OBTAINED FROM AREAS STRIPPED AND CLEANED OF SOIL AND DEBRIS BEFORE BLASTING

C. MATERIAL COARSER THAN THE 4.75mm (No. 4) SIEVE MUST NOT BE MORE THAN 30 PERCENT, BY MASS (WEIGHT), OF THIN AND/OR ELONGATED PIECES.

BASE SPECIFICATIONS	
SIEVE DESIGNATION	PERCENTAGE BY MASS (WEIGHT) PASSING SQUARE MESH SIEVES
90mm (3.5in)	100
75mm (3in)	90-100
50mm (2in)	75-100
25mm (1in)	50-80
12.5mm (0.5in)	30-60
4.75mm (No.4)	15-40
7.5um (No. 200)	0-6

**DENSE GRADED CRUSHED STONE FOR BASE:**

A. DENSE GRADED CRUSHED STONE FOR BASE MUST CONSIST OF CLEAN, HARD, UNIFORMLY GRADED, CRUSHED STONE. IT MUST BE SUFFICIENTLY FREE FROM DIRT, DELETERIOUS MATERIAL, AND PIECES THAT ARE STRUCTURALLY WEAK AND MUST MEET THE FOLLOWING REQUIREMENTS:

B. SOURCE OF MATERIAL MUST BE OBTAINED FROM AREAS STRIPPED AND CLEANED OF SOIL AND DEBRIS BEFORE BLASTING

C. MATERIAL COARSER THAN THE 4.75mm (No. 4) SIEVE MUST NOT BE MORE THAN 30 PERCENT, BY MASS (WEIGHT), OF THIN AND/OR ELONGATED PIECES.

SUBBASE SPECIFICATIONS (WHERE DIRECTED)			
CONDITIONS:	ROAD THICKNESS	STONE SIZE	FINES
SUBBASE LAYER WITH GEOTEXTILE FABRIC (NOT EXCESSIVELY WET)	4" MIN.	3-3 1/2	0-6%
SUBBASE LAYER WITH GEOTEXTILE FABRIC (WET CONDITIONS)	6" MIN.	3-3 1/2	0-6%

**CONSTRUCTION NOTE:**

A. CONSTRUCTION OPERATIONS MUST BE CARRIED OUT IN SUCH A MANNER TO MINIMIZE POTENTIAL EROSION AND WATER QUALITY DEGRADATION.

B. FIXED EROSION CONTROLS AND SITE STABILIZATION MUST BE CONDUCTED IN ACCORDANCE WITH APPROVED BMP'S OR PURSUANT TO PROJECT SPECIFIC PERMITS.

C. TREES, STUMPS, ROOTS, BRUSH AND WEEDS MUST BE REMOVED FROM THE WORK AREA IF DETERMINED NECESSARY TO SAFELY CONSTRUCT ROADWAY.

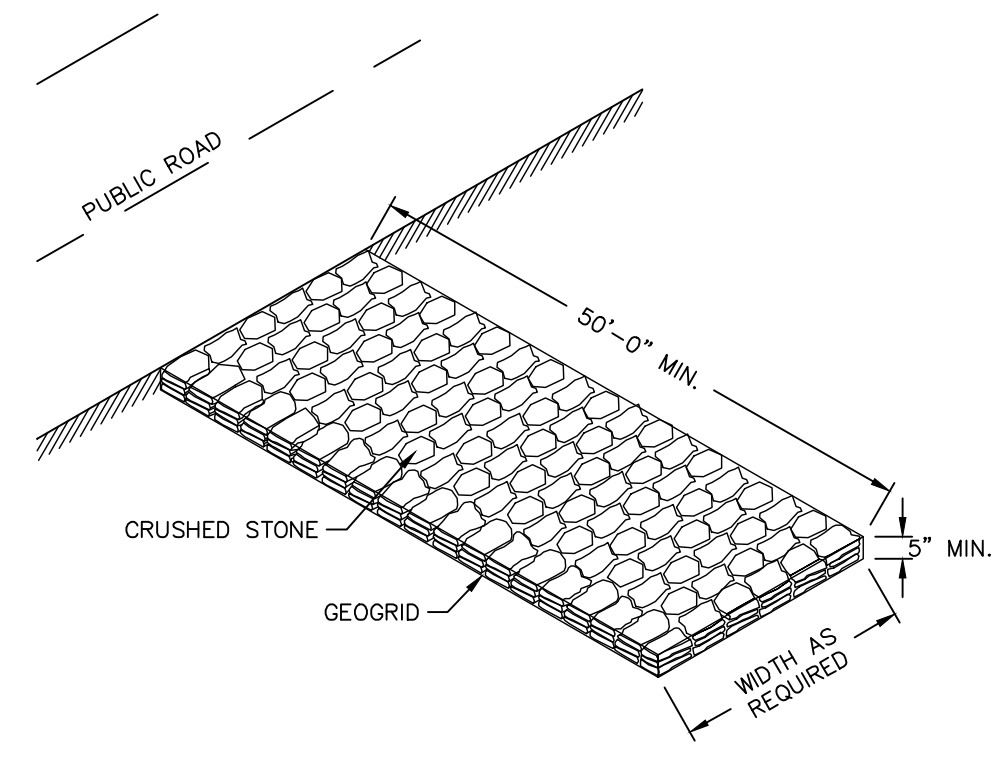
D. ON WEAK BEARING SOIL SUCH AS LOOSE ALLUVIAL, OR WETLAND SOILS, SURFACE TREATMENTS SHOULD BE UNDERLAIN WITH WOVEN GEOTEXTILES.

E. AT MINIMUM, ROADSIDE DITCHES MUST BE 1FT BELOW ROAD SURFACE.

F. DISCHARGE POINTS FOR DITCHES MUST NOT BE NEAR WETLANDS OR STREAMS, AND OR BE LOCATED AT THE DIRECTION OF THE DESIGN ENGINEER.

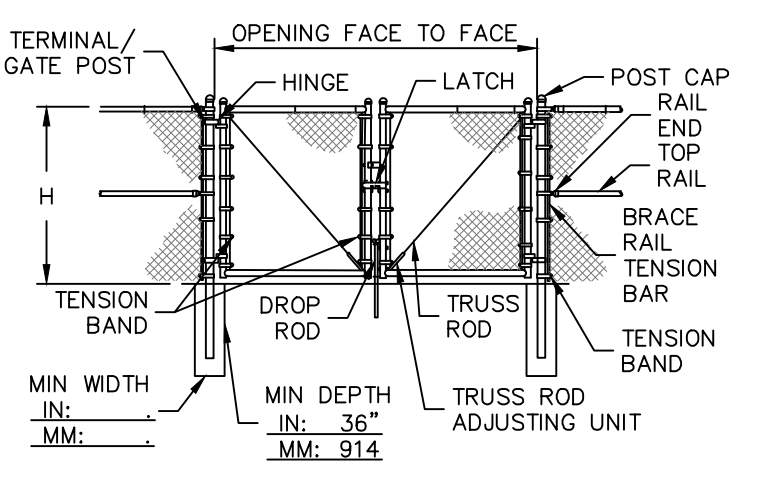
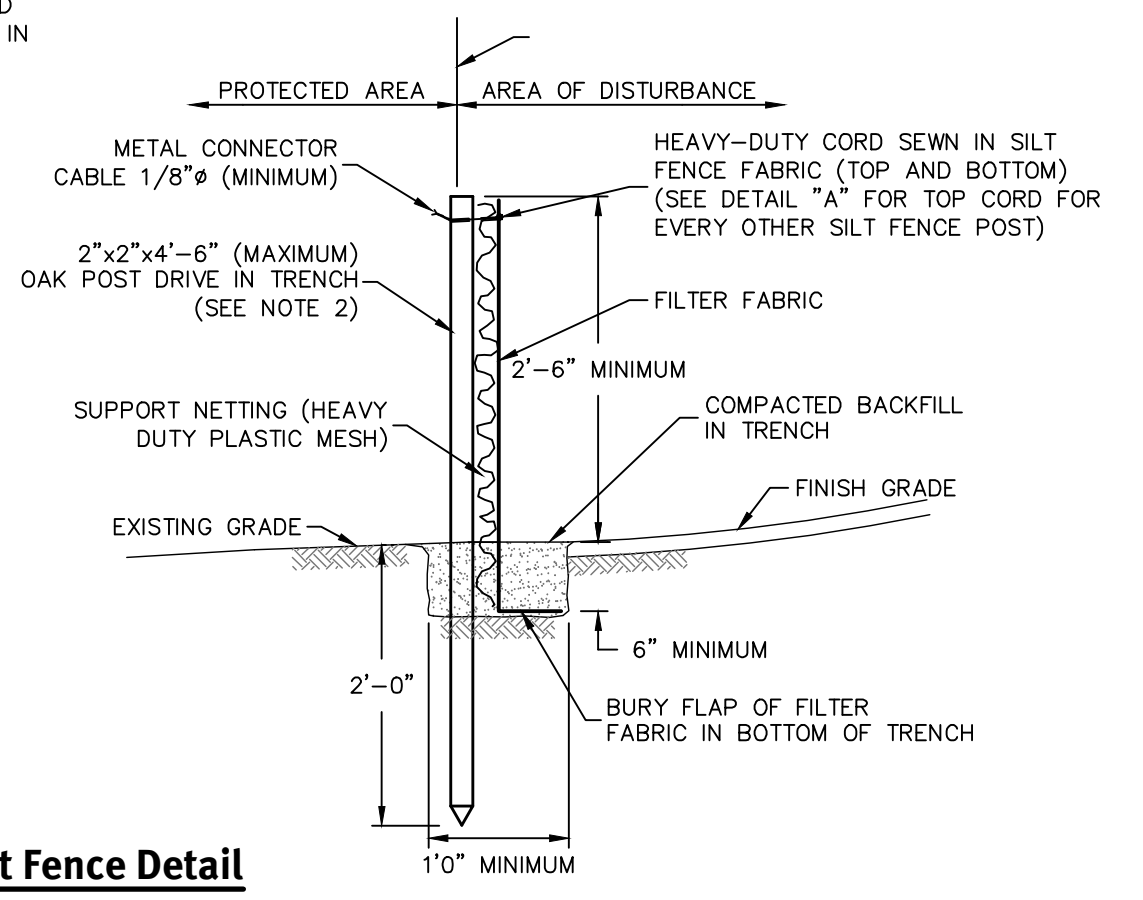
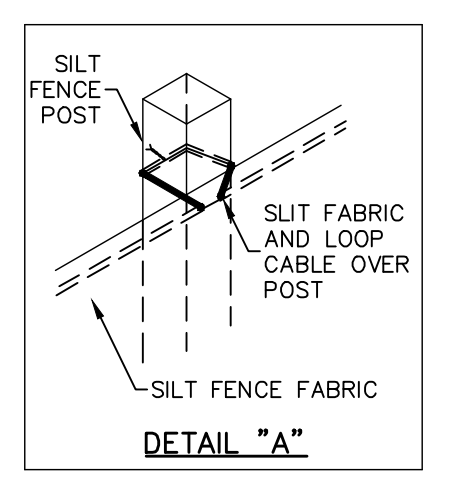
G. CONTRACTOR TO INSTALL GRAVEL REINFORCEMENT GRID AS NECESSARY TO PREVENT EROSION AND/OR VEHICULAR DAMAGE TO THE ACCESS ROAD.

**Crushed Stone Access Path Detail**  
NOT TO SCALE

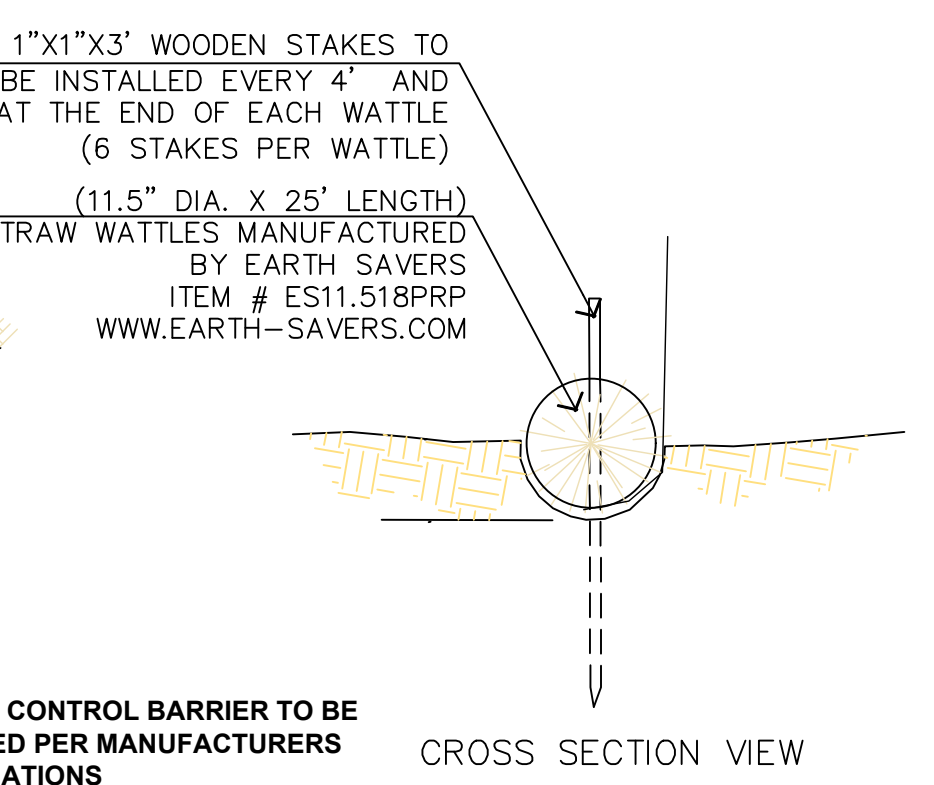
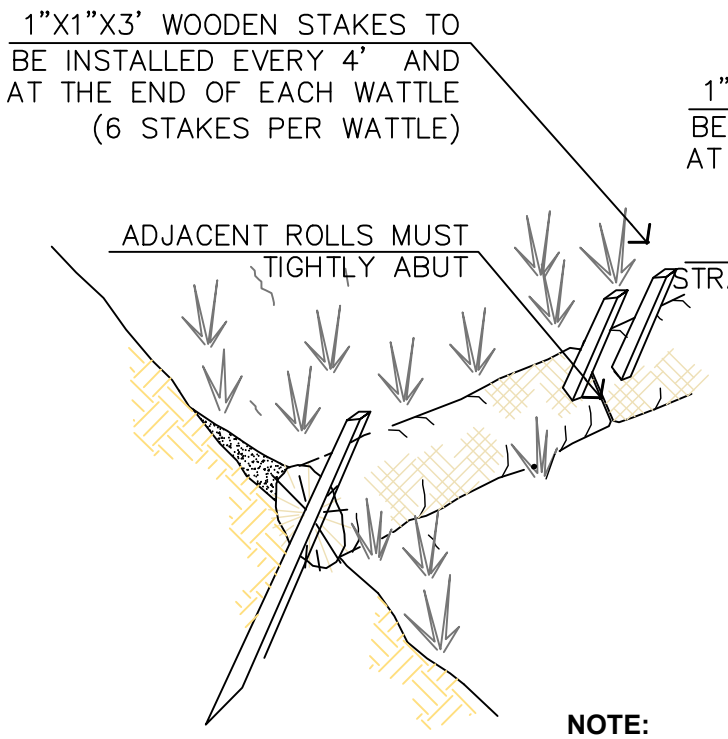


**NOTES:**

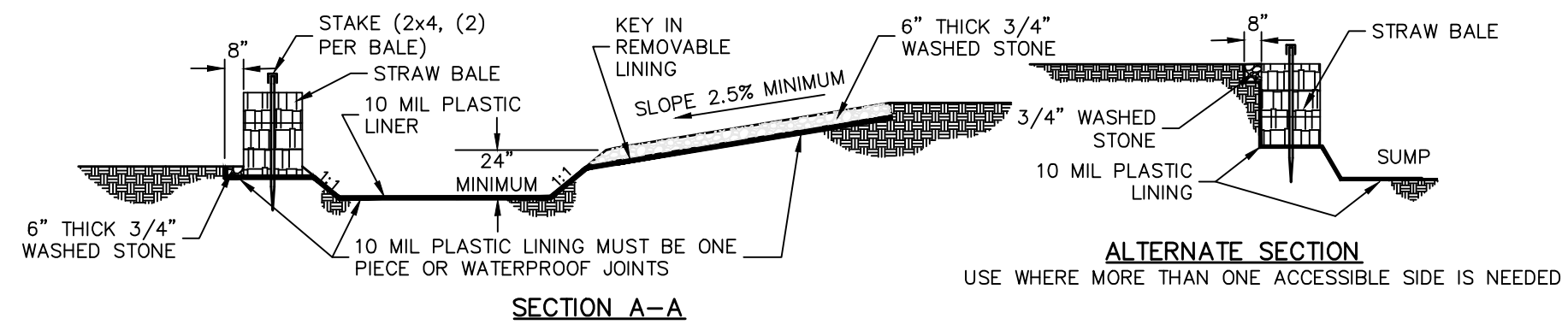
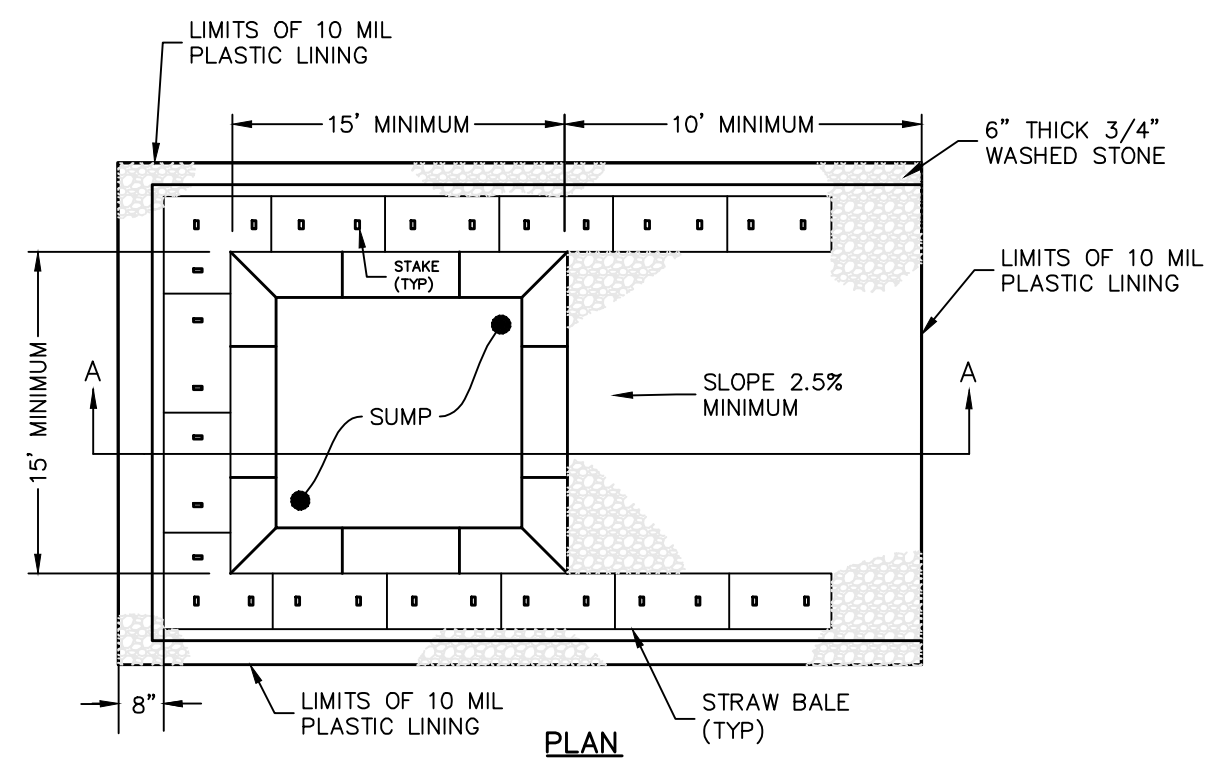
- 2"x2"x4'-6" (MAXIMUM) OAK POSTS FOR SILT FENCE MUST BE LOCATED 8'-0" (MAXIMUM) O.C. IN WETLAND AREAS AND 4'-0" (MAXIMUM) O.C. IN WETLAND RAVINE, GULLY OR DROP-OFF AREAS AS SHOWN ON PLANS.
- 1"x1"x4'-6" (MINIMUM) POSTS PERMITTED FOR PRE-FABRICATED SILT FENCE
- SILT FENCE MUST BE INSTALLED BEFORE ANY GRUBBING OR EARTH EXCAVATION TAKES PLACE.



**Double Swing Gate 12' Opening**  
NOT TO SCALE



**Straw Wattle Sediment Barrier**  
NOT TO SCALE

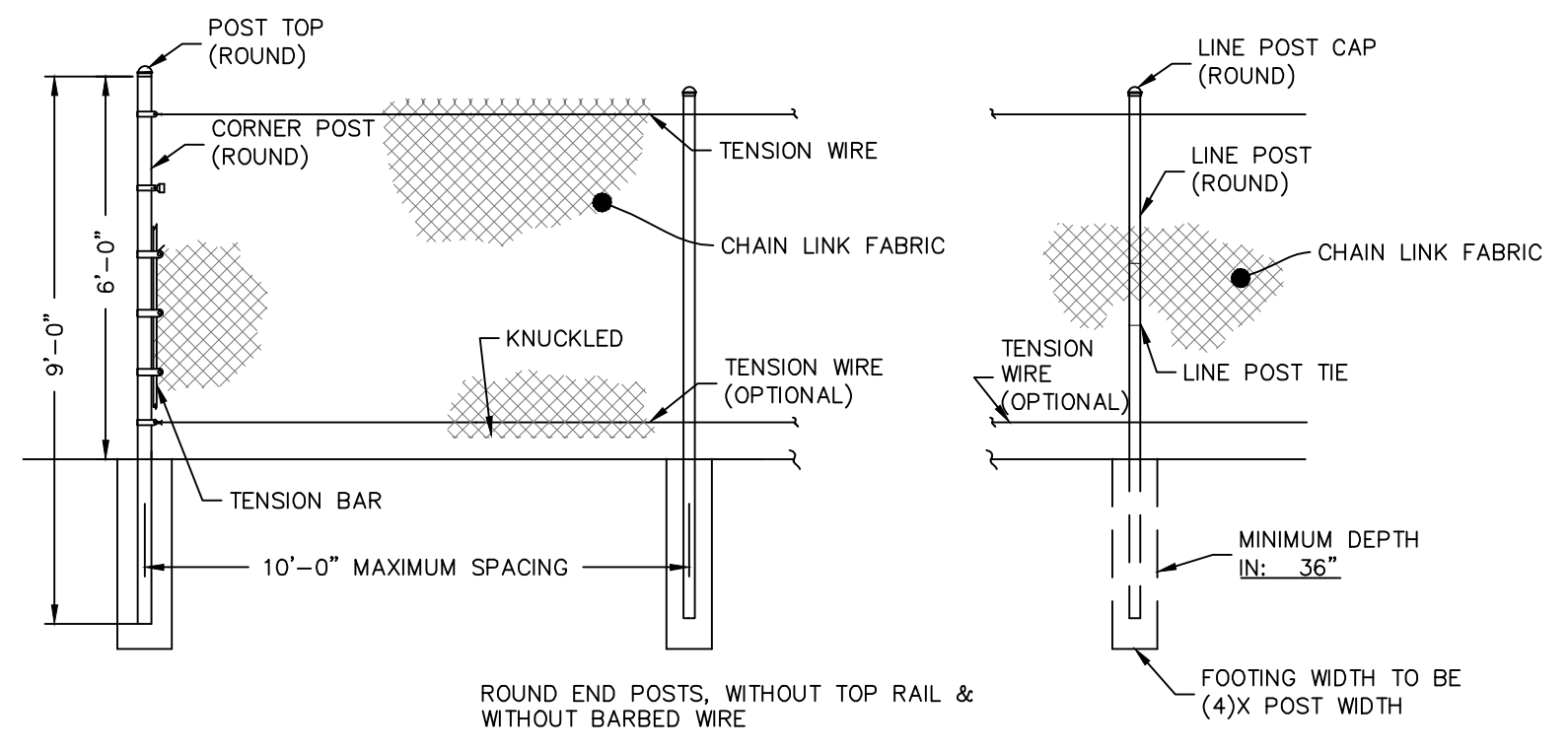


**WASHOUT SIGN**

**Concrete Washout Area**  
(NOT TO SCALE)

**NOTES:**

- PIT IS SPECIFICALLY DESIGNATED, DIKED AND IMPERVIOUS TO PREVENT CONTACT BETWEEN CONCRETE WASH AND STORMWATER.
- WASH WATER MUST NOT BE ALLOWED TO FLOW TO SURFACE WATER.
- FACILITY MUST HOLD SUFFICIENT VOLUME TO CONTAIN CONCRETE WASTE WITH A MINIMUM FREEBOARD OF 12."
- FACILITY MUST NOT BE FILLED BEYOND 95% CAPACITY UNLESS A NEW FACILITY IS CONSTRUCTED.
- SAWCUT PORTLAND CEMENT CONCRETE, RESIDUE FROM SAWCUT AND GRINDING MUST BE DISPOSED OF IN THE PIT.
- CONCRETE WASHOUTS MUST BE LOCATED A MINIMUM OF 100' FROM DRAINAGE WAYS, INLETS AND SURFACE WATERS.
- MANUFACTURED CONCRETE WASHOUT DEVICES MAY BE USED IF REMOVED FROM THE SITE WHEN 95% FULL CAPACITY.



**GENERAL NOTES:**

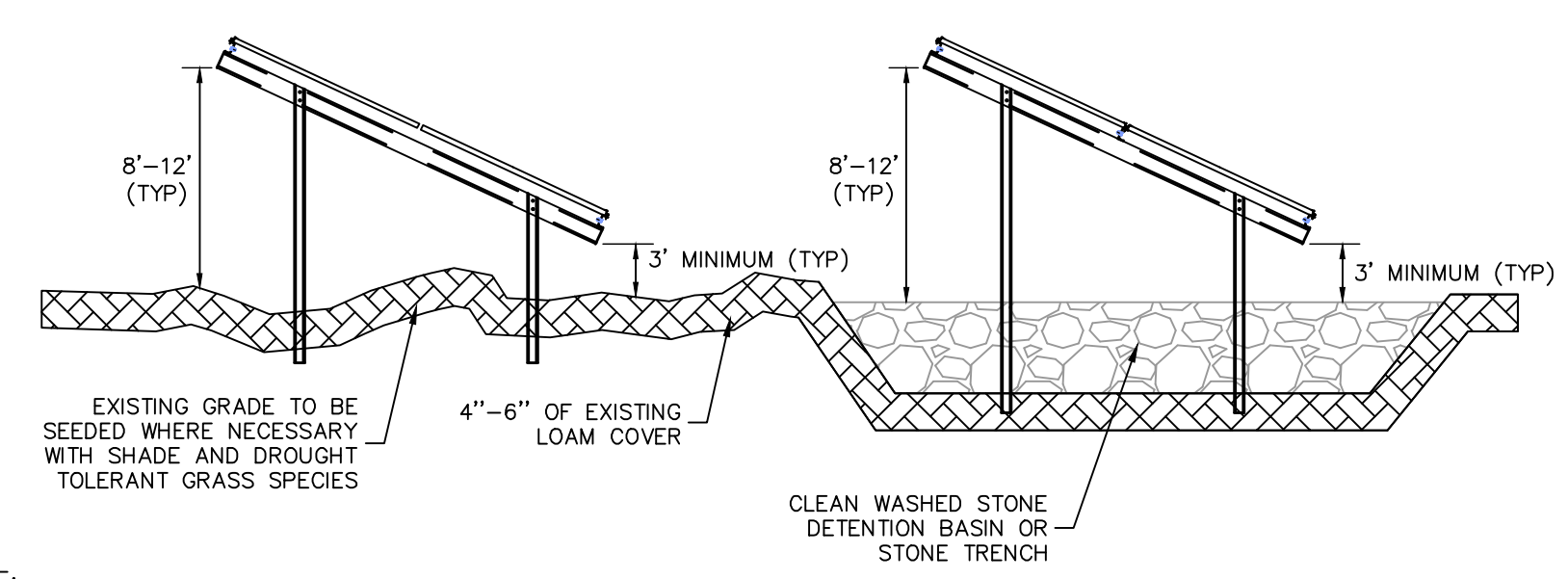
- THE TEMPORARY SEDIMENT TRAP MUST MEET ALL REQUIREMENTS FOR TEMPORARY SEDIMENT TRAPS OUTLINED IN THE RHODE ISLAND SOIL EROSION AND SEDIMENT CONTROL HANDBOOK (LATEST REVISION) SECTION SIX: SEDIMENT CONTROL MEASURES
- THE TEMPORARY SEDIMENT TRAP MUST HAVE AN INITIAL STORAGE VOLUME OF 134 CUBIC YARDS PER ACRE OF DRAINAGE AREA.
- ALL OUT AND FILL SLOPES MUST BE 2:1 OR FLATTER EXCEPT FOR THE EXCAVATED WET STORAGE AREA WHERE SLOPES MUST NOT EXCEED 1.5:1.
- THE OUTLET MUST BE LOCATED AT THE MOST DISTANT HYDRAULIC POINT FROM THE INLET.
- THE OUTLET MUST CONSIST OF A PERVIOUS STONE DIKE WITH A CORE OF MODIFIED RIPRAP AND FACED ON THE UPSTREAM SIDE WITH STONE.
- TEMPORARY SEDIMENT TRAPS MUST OUTLET ONTO STABILIZED GROUND.
- MAXIMUM HEIGHT OF A TEMPORARY SEDIMENT TRAP EMBANKMENT IS LIMITED TO 5 FEET.
- SIDE SLOPES OF THE EMBANKMENT MUST BE 2:1 OR FLATTER.
- MODIFIED RIPRAP: MUST MEET THE REQUIREMENTS OF RIDOT STANDARD SPECIFICATIONS FOR ROAD AND BRIDGE CONSTRUCTION SUBSECTION M.10.03.2.
- FILTER STONE: MUST MEET THE REQUIREMENTS OF RIDOT STANDARD SPECIFICATIONS FOR ROAD AND BRIDGE CONSTRUCTION SUBSECTION M.01.03 TABLE I, COLUMN V FILTER STONE.

**INSPECTION, MAINTENANCE, AND REMOVAL REQUIREMENTS:**

- INSTALL "SEDIMENT STORAGE" STAKE WITH A MARKER AT ONE HALF OF THE WET STORAGE VOLUME.
- INSPECT THE TEMPORARY SEDIMENT TRAP AT LEAST ONCE A WEEK AND WITHIN 24 HOURS OF THE END OF A STORM WITH A RAINFALL AMOUNT OF 0.25 INCH OR GREATER.
- CHECK THE OUTLET TO ENSURE THAT IT IS STRUCTURALLY SOUND AND HAS NOT BEEN DAMAGED BY EROSION OR CONSTRUCTION EQUIPMENT.
- CHECK FOR SEDIMENT ACCUMULATION AND FILTRATION PERFORMANCE.
- WHEN SEDIMENTS HAVE ACCUMULATED TO ONE HALF THE MINIMUM REQUIRED VOLUME OF THE WET STORAGE, DEWATER THE TRAP AS NEEDED, REMOVE SEDIMENTS AND RESTORE THE TRAP TO ITS ORIGINAL DIMENSIONS.
- DISPOSE OF THE SEDIMENT REMOVED FROM THE BASIN IN A SUITABLE AREA.
- THE TEMPORARY SEDIMENT TRAP MAY BE REMOVED AFTER THE CONTRIBUTING DRAINAGE AREA IS STABILIZED.

**INSTALLATION NOTES:**

- CLEAR, GRUB AND STRIP ANY VEGETATION AND ROOT MAT FROM ANY PROPOSED EMBANKMENT AND OUTLET AREA.
- REMOVE STONES AND ROCKS WHOSE DIAMETER IS GREATER THAN THREE (3) INCHES AND OTHER DEBRIS.
- EXCAVATE WET STORAGE AND CONSTRUCT THE EMBANKMENT AND/OR OUTLET AS NEEDED TO ATTAIN THE NECESSARY STORAGE REQUIREMENTS.
- USE ONLY FILL MATERIAL FOR THE EMBANKMENT THAT IS FREE FROM EXCESSIVE ORGANICS, DEBRIS, LARGE ROCKS (OVER SIX (6) INCHES) OR OTHER UNSUITABLE MATERIALS. COMPACT THE EMBANKMENT IN 9-INCH LAYERS BY TRAVERSING WITH EQUIPMENT WHILE IT IS BEING CONSTRUCTED.
- STABILIZE THE EARTHEN EMBANKMENT USING ANY OF THE FOLLOWING MEASURES: SEEDING FOR TEMPORARY VEGETATION COVER, SEEDING FOR PERMANENT VEGETATIVE COVER, OR SLOPE PROTECTION, IMMEDIATELY AFTER INSTALLATION.



**NOTE:**

- TOPSOIL ON SITE MUST BE PRESERVED. TOPSOIL MUST NOT BE EXPORTED FROM THE SITE.

This regulatory submission set shall not be used for construction purposes unless stamped 'Issued for Construction' and signed by a Diprete Engineering representative.

The contractor is responsible for all of the means, methods, safety, precautions and requirements, and OSHA compliance in the implementation of this plan and design.

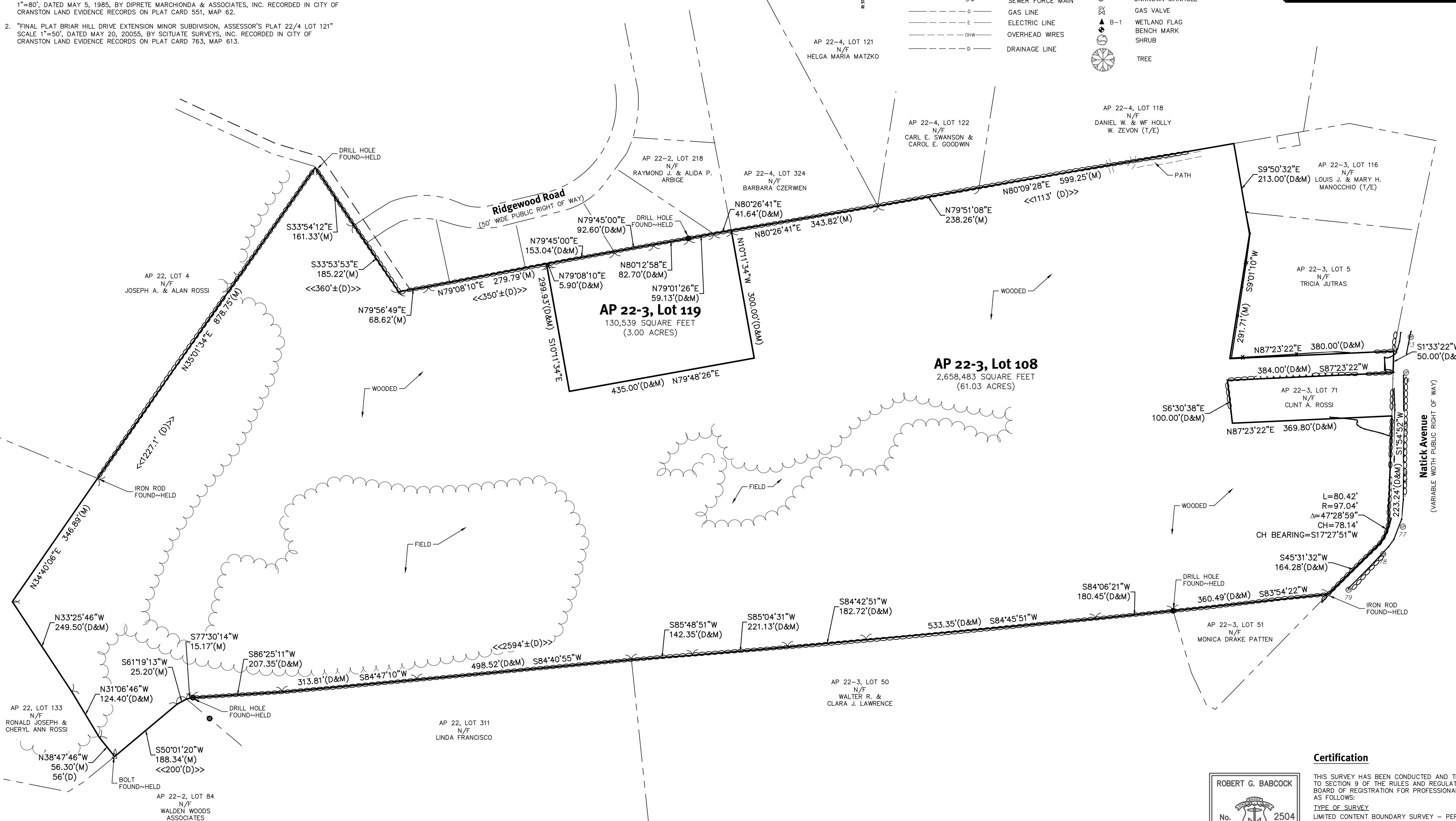
No.	Date	Description	Drawn By: SEK	Design By: SEK
1	11/07/2020	Preliminary Submission		

**General Notes**

1. THE PARCEL IS FOUND ON ASSESSOR'S PLAT 22, LOT 108 & 119 IN THE CITY OF CRANSTON, PROVIDENCE COUNTY, RHODE ISLAND.
2. THE OWNER PER DEED BOOK 853, PAGE 793 IS RONALD ROSSI.
3. BASED ON GRAPHICAL PLOTTING ONLY, THE PARCEL IS LOCATED IN X PER FEDERAL EMERGENCY MANAGEMENT AGENCY FLOOD INSURANCE RATE MAP 44007C0407G, DATED MARCH 2, 2009 & MAP 44003C0126H, DATED OCTOBER 2, 2015. THIS DESIGNATION MAY CHANGE BASED UPON REVIEW BY A FLOOD ZONE SPECIALIST OR BY THE RESULTS OF A COMPREHENSIVE FLOOD STUDY.
4. THE PARCEL IS ZONED A80 BASED ON VISION GOVERNMENT SOLUTIONS CRANSTON. ANY OVERLAY DISTRICTS, SPECIAL PERMITS OR VARIANCES SPECIFIC TO THIS SITE ARE NOT TAKEN INTO CONSIDERATION. PLEASE CONTACT THE ZONING DEPARTMENT FOR ANY ADDITIONAL INFORMATION OR FOR A CERTIFICATE OF ZONING.
5. THERE WERE NO CEMETERIES, GRAVE SITES AND OR BURIAL GROUNDS OBSERVED WITHIN THE LIMITS OF THE SURVEY.
6. FIELD SURVEY PERFORMED BY DIPRETE ENGINEERING ON OCTOBER 4, 2018. THIS PLAN REFLECTS ON THE GROUND CONDITIONS AS OF THAT DATE.
7. THIS SURVEY WAS PREPARED WITHOUT THE BENEFIT OF A TITLE REPORT. DIPRETE ENGINEERING IS NOT RESPONSIBLE FOR ANY UNKNOWN OR UNRECORDED EASEMENTS, DEEDS OR CLAIMS THAT A TITLE REPORT WOULD DISCLOSE.

**Plan References:**

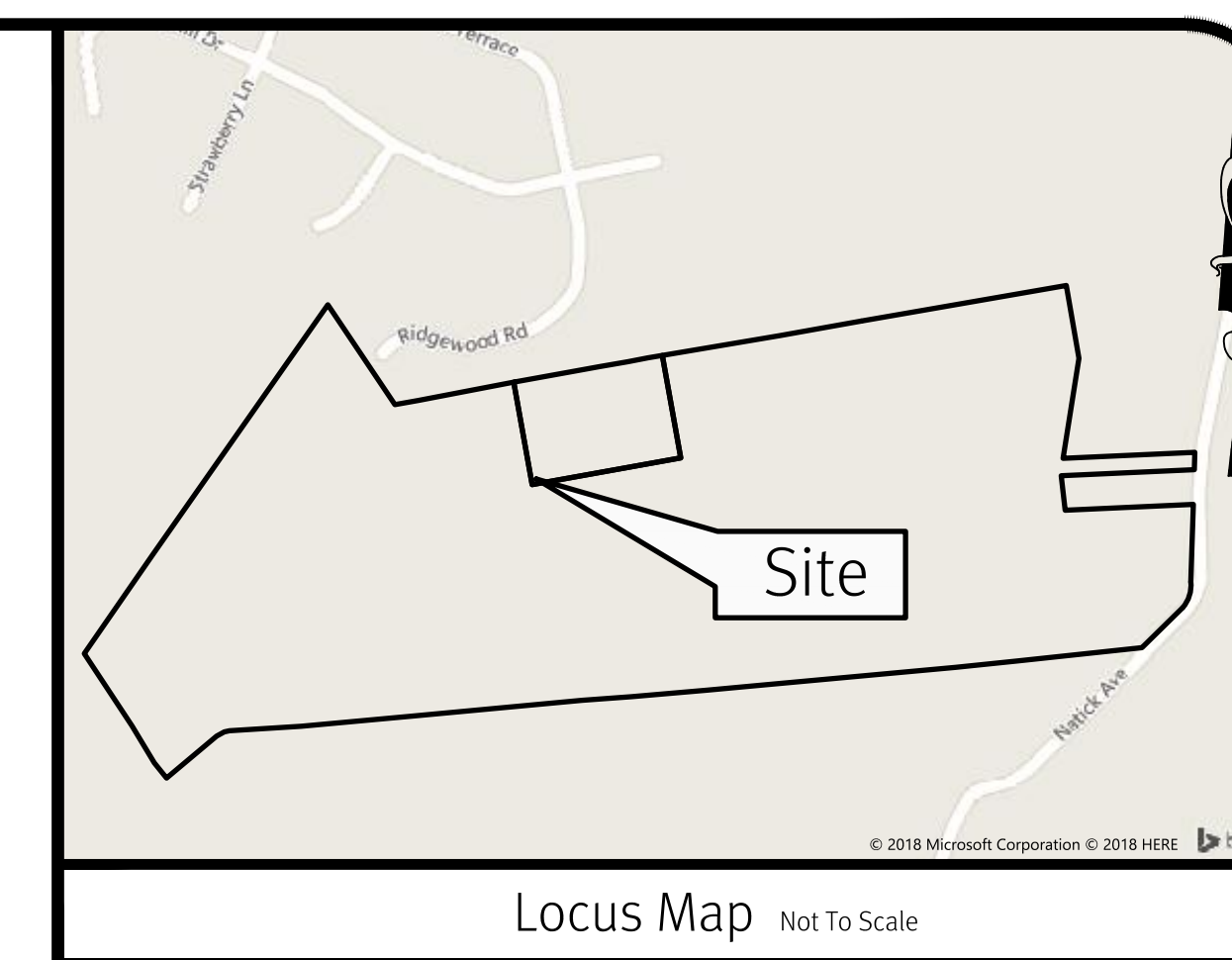
1. "SUBDIVISION PLAN OF BRIAR HILL PHASE III, SITUATED IN CRANSTON, RHODE ISLAND" SCALE 1"=80', DATED MAY 5, 1985, BY DIPRETE MARCHIONDA & ASSOCIATES, INC. RECORDED IN CITY OF CRANSTON LAND EVIDENCE RECORDS ON PLAT CARD 551, MAP 62.
2. "FINAL PLAT BRIAR HILL DRIVE EXTENSION MINOR SUBDIVISION, ASSESSOR'S PLAT 22/4 LOT 121" SCALE 1"=50', DATED MAY 20, 2005, BY SCITUATE SURVEYS, INC. RECORDED IN CITY OF CRANSTON LAND EVIDENCE RECORDS ON PLAT CARD 763, MAP 613.



**Legend**

NOT ALL ITEMS SHOWN WILL APPEAR ON THE SURVEY

BUILDING		Legend	
AP	ASSESSOR'S PLAT	▲/△	NAIL FOUND/SET
N/F	NOW OR FORMERLY	●/◎	DRILL HOLE FOUND/SET
(D)	DEED	⊙/⊚	IRON ROD/PIPE FOUND/SET
(M)	MEASURED	■/□	BOUND FOUND/SET
(CA)	CHORD ANGLE	⊙	SIGN
HC	HANDICAPPED	⊙	BOLLARD
	PROPERTY LINE	⊙	SOIL EVALUATION
	ASSESSORS LINE	⊙	CATCH BASIN
	TREELINE	⊙	DOUBLE CATCH BASIN
	GUARDRAIL	⊙	DRAINAGE MANHOLE
	FENCE	⊙	FLARED END SECTION
	RETAINING WALL	⊙	GUY POLE
	STONE WALL	⊙	ELECTRIC MANHOLE/HANDHOLE
- - - - -	MINOR CONTOUR LINE	⊙	UTILITY/POWER POLE
- - - - -	MAJOR CONTOUR LINE	⊙	LIGHTPOST
- - - - -	WATER LINE	⊙	SEWER/SEPTIC MANHOLE
- - - - -	SEWER LINE	⊙	SEWER VALVE
- - - - -	SEWER FORCE MAIN	⊙	CLEANOUT
- - - - -	GAS LINE	⊙	HYDRANT
- - - - -	ELECTRIC LINE	⊙	IRRIGATION VALVE
- - - - -	OVERHEAD WIRES	⊙	WATER VALVE
- - - - -	DRAINAGE LINE	⊙	WELL
		⊙	MONITORING WELL
		⊙	UNKNOWN MANHOLE
		⊙	GAS VALVE
		⊙	WETLAND FLAG
		⊙	BENCH MARK
		⊙	SHRUB
		⊙	TREE



**Diprete Engineering**  
 Two Stafford Court, Cranston, RI 02920  
 Tel: 401-943-1000 Fax: 401-664-6006 www.diprete-eng.com

**Boston • Providence • Newport**

No.	Date	Boundary Survey Description	E.L.T.	By:
0	10/11/2018			

Drawn By: E.L.T.

ROBERT G. BABCOCK  
 No. 2504  
 PROFESSIONAL LAND SURVEYOR

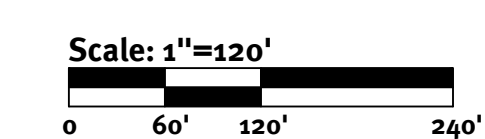
**Certification**

THIS SURVEY HAS BEEN CONDUCTED AND THE PLAN HAS BEEN PREPARED PURSUANT TO SECTION 9 OF THE RULES AND REGULATIONS ADOPTED BY THE RHODE ISLAND STATE BOARD OF REGISTRATION FOR PROFESSIONAL LAND SURVEYORS ON JANUARY 1, 2016, AS FOLLOWS:

TYPE OF SURVEY: LIMITED CONTENT BOUNDARY SURVEY - PERIMETER CLASS I  
 MEASUREMENT SPECIFICATION:

THE PURPOSE FOR THE CONDUCT OF THE SURVEY AND FOR THE PREPARATION OF THE PLAN IS AS FOLLOWS:  
 PERIMETER RETRACEMENT PERFORMED BY DIPRETE ENGINEERING FOR THE PURPOSE OF SITE ENGINEERING AND PERMITTING.

*Robert G. Babcock*  
 ROBERT G. BABCOCK, RIPLS #2504, COA #S.000A160  
 11/9/2018



**Boundary Survey**  
**Natick Avenue Solar**  
 Cranston, Rhode Island

**Southern Sky Renewable Energy RI, LLC**  
 Client  
 117 Metro Center Blvd #2007, Warwick, Rhode Island 02886  
 Tel: 781-371-2001

DE JOB No: 2437-015 Copyright: 2018 by Diprete Engineering Associates, Inc.

L:\deman\projects\2437-015 natick avenue solar\autocad drawings\2437-015-natick.dwg Plotter: 11/9/2018